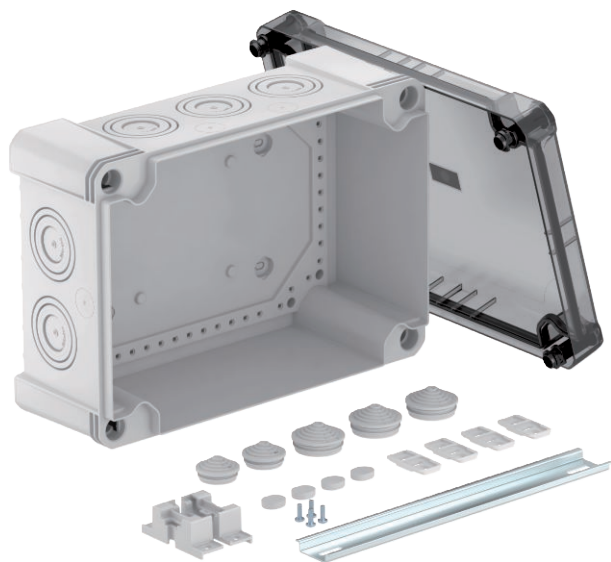


# Technical data sheet

## Junction box X 25 with hat profile rail

Item no. 2005104



Junction box with hat profile rail for the connection of cables and lines indoors and in outdoor areas. Rectangular design with knock-out entries. Suitable for wall and ceiling mounting with the option to fasten outside, inside or to mount via the corner domes. Particularly impact resistant with IK08. Transparent cover with quick lock, sealable. Made from halogen-free and UV-resistant materials.

With hat profile rail type 2069.

Junction box according to DIN EN 60670. Flame-resistant to DIN EN 60695/2/11, test temperature 650 °C. Impact resistance IK08 according to DIN EN 50102. Protection rating IP67 according to DIN EN 60529.



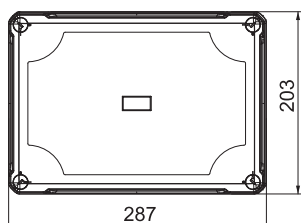
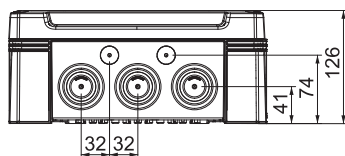
**PC** Polycarbonate

Additional product text, instruction	The junction box is tested according to DIN EN 60670-1, VDE 0606-1:2014 (EN 60670-1:2005 + Cor.:2007 + Cor.:2010 + A1:2013) and DIN EN 60670-22, VDE 0606-22:2007 (EN 60670-22:2006).
Additional product text 1	The junction box fulfils the protection type test requirements to IP 67 according to DIN EN 60529, VDE0470-1:2014 (EN 60529/AC:2016).
Additional product text 2	With transparent cover and hat profile rail, type 2069, with fastening set.

### Master data

Item no.	2005104
Type	X25 R LGR-TR
Description 1	Junction box
Description 2	with tans. lid, rail 2069
Dimension	286x202x125
Colour	Grey/transparent
Material	Polycarbonate
Material symbol	PC
Smallest sales unit (VG)	1 Piece
Weight	107,00 kg/100 pc.

### Technical data



Length	286,00 mm
Width	202,00 mm
Height	126,00 mm
Clear internal dimensions	271x187x110 mm
Dimension LxWxH	286x202x126 mm
Expandable	<input checked="" type="checkbox"/>
No. of entries	10
Type of entry	Cutttable stepped membrane
Type of housing penetration	Pre-marking
Measured insulation voltage Vi	750,00 V
Equipment	Support rail
Cover	Not transparent
Cover fastening	Screwed
Entries	10 x Ø25/40/50
Entry from rear	<input type="checkbox"/>
Explosion-tested version	<input type="checkbox"/>

# Technical data sheet

## Junction box X 25 with hat profile rail

Item no. 2005104



### Technical data

Flame-resistant	acc. to VDE 0471/DIN 695 Part 2-1, test temperature 650°C
Shape	Rectangular
Fibre-glass reinforced	<input checked="" type="checkbox"/>
Halogen-free	<input checked="" type="checkbox"/>
Max. conductor cross-section	25,00 mm <sup>2</sup>
With screening	<input type="checkbox"/>
With cover	<input checked="" type="checkbox"/>
Installation type	On cable tray
Mounting type	Wall/ceiling mounting
Nominal cross section	10,00 - 25,00 mm <sup>2</sup>
Nominal voltage	750,00 V
Protection rating	IP67
Protection rating	IP 67
Protection rating IK code	IK08
Sealable	<input checked="" type="checkbox"/>
Impact-resistant	<input checked="" type="checkbox"/>
max. permitted ambient temperature	-25,00 - 65,00 °C
Transparent lid	<input checked="" type="checkbox"/>
Weatherproof	<input checked="" type="checkbox"/>