

Technical data sheet

Junction box X 16 with main terminal block

Item no. 2005316



Junction box for the connection of cables and lines indoors and in outdoor areas. Rectangular design with knock-out entries. Suitable for wall and ceiling mounting with the option to fasten outside, inside or to mount via the corner domes. Particularly impact resistant with IK09. Cover with quick lock, sealable. Made from halogen-free and UV-resistant materials.

Including 5-pole main terminal block with 2 x 25 mm² + 2 x 16 mm² cable connection cross-sections per pole. Junction box according to DIN EN 60670. Flame-resistant to DIN EN 60695/2/11, test temperature 650 °C. Impact resistance IK09 according to DIN EN 50102. Protection rating IP67 according to DIN EN 60529.



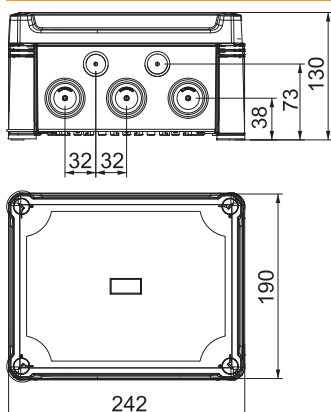
PC Polycarbonate

| | |
|--------------------------------------|---|
| Additional product text, instruction | The junction box is tested according to DIN EN 60670-1, VDE 0606-1:2014 (EN 60670-1:2005 + Cor.:2007 + Cor.:2010 + A1:2013) and DIN EN 60670-22, VDE 0606-22:2007 (EN 60670-22:2006). |
| Additional product text 1 | The junction box fulfils the protection type test requirements to IP 67 according to DIN EN 60529, VDE0470-1:2014 (EN 60529/AC:2016). |
| Additional product text 2 | In addition, a 5-pin main conductor branch terminal with 2 x 35 mm ² + 2 x 25 mm ² conductor connection cross-sections per pin is included. |

Master data

| | |
|--------------------------|---------------------------|
| Item no. | 2005316 |
| Type | X16 H35 GNP5 LGR |
| Description 1 | Junction box |
| Description 2 | Main line branch terminal |
| Dimension | 240x191x125 |
| Colour | Light grey |
| RAL number | 7035 |
| Material | Polycarbonate |
| Material symbol | PC |
| Smallest sales unit (VG) | 1 Piece |
| Weight | 125,00 kg/100 pc. |

Technical data



| | |
|--------------------------------|-------------------------------------|
| Length | 241,00 mm |
| Width | 191,00 mm |
| Height | 126,00 mm |
| Clear internal dimensions | 227x177x110 mm |
| Dimension LxWxH | 241x191x126 mm |
| Expandable | <input checked="" type="checkbox"/> |
| No. of entries | 10 |
| Type of entry | Cuttable stepped membrane |
| Type of housing penetration | Pre-marking |
| Measured insulation voltage Vi | 750,00 V |
| Equipment | Without |
| Cover | Not transparent |
| Cover fastening | Screwed |
| Entries | 10 x Ø25/32/40 |
| Entry from rear | <input type="checkbox"/> |

Technical data sheet

Junction box X 16 with main terminal block

Item no. 2005316



Technical data

| | |
|------------------------------------|---|
| Explosion-tested version | <input type="checkbox"/> |
| Flame-resistant | acc. to VDE 0471/DIN 695 Part 2-1, test temperature 650°C |
| Shape | Rectangular |
| Fibre-glass reinforced | <input checked="" type="checkbox"/> |
| Halogen-free | <input checked="" type="checkbox"/> |
| Max. conductor cross-section | 16,00 mm ² |
| With screening | <input type="checkbox"/> |
| With cover | <input checked="" type="checkbox"/> |
| Mounting type | Wall/ceiling mounting |
| Nominal cross section | 6,00 - 16,00 mm ² |
| Nominal voltage | 750,00 V |
| Protection rating | IP67 |
| Protection rating IK code | IK09 |
| Sealable | <input checked="" type="checkbox"/> |
| Impact-resistant | <input checked="" type="checkbox"/> |
| max. permitted ambient temperature | -25,00 - 65,00 °C |
| Transparent lid | <input type="checkbox"/> |
| Weatherproof | <input checked="" type="checkbox"/> |