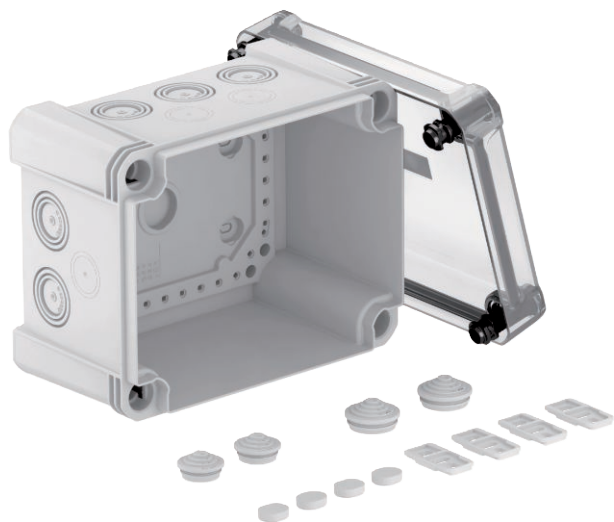


Technical data sheet

Junction box X 10

Item no. 2005066



Junction box for the connection of cables and lines indoors and in outdoor areas. Rectangular design with knock-out entries. Suitable for wall and ceiling mounting with the option to fasten outside, inside or to mount via the corner domes. Particularly impact resistant with IK09. Transparent cover with quick lock, sealable. Made from halogen-free and UV-resistant materials. Junction box according to DIN EN 60670. Flame-resistant to DIN EN 60695/2/11, test temperature 650 °C. Impact resistance IK09 according to DIN EN 50102. Protection rating IP67 according to DIN EN 60529.



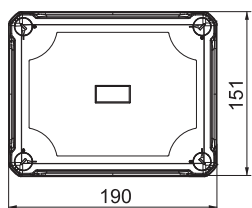
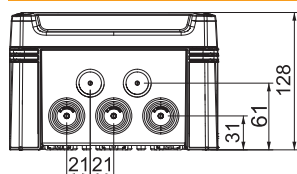
PC Polycarbonate

Additional product text, instruction	The junction box is tested according to DIN EN 60670-1, VDE 0606-1:2014 (EN 60670-1:2005 + Cor.:2007 + Cor.:2010 + A1:2013) and DIN EN 60670-22, VDE 0606-22:2007 (EN 60670-22:2006).
Additional product text 1	The junction box fulfils the protection type test requirements to IP 67 according to DIN EN 60529, VDE0470-1:2014 (EN 60529/AC:2016).
Additional product text 2	The cover is made of a transparent material for better observation of the installations.

Master data

Item no.	2005066
Type	X10 LGR-TR
Description 1	Junction box
Description 2	with transparent lid
Dimension	190x150x125
Colour	Grey/transparent
Material	Polycarbonate
Material symbol	PC
Smallest sales unit (VG)	1 Piece
Weight	59,20 kg/100 pc.

Technical data



Length	191,00 mm
Width	151,00 mm
Height	126,00 mm
Clear internal dimensions	177x137x110 mm
Dimension LxWxH	191x151x126 mm
Expandable	<input checked="" type="checkbox"/>
No. of entries	10
Type of entry	Cutttable stepped membrane
Type of housing penetration	Pre-marking
Measured insulation voltage Vi	750,00 V
Equipment	Without
Cover	Not transparent
Cover fastening	Screwed
Entries	10 x Ø20/25/32
Entry from rear	<input type="checkbox"/>
Explosion-tested version	<input type="checkbox"/>
Flame-resistant	acc. to VDE 0471/DIN 695 Part 2-1, test temperature 650°C
Shape	Rectangular

Technical data sheet

Junction box X 10

Item no. 2005066



Technical data

Fibre-glass reinforced	<input checked="" type="checkbox"/>
Halogen-free	<input checked="" type="checkbox"/>
Max. conductor cross-section	10,00 mm ²
With screening	<input type="checkbox"/>
With cover	<input checked="" type="checkbox"/>
Installation type	On cable tray
Mounting type	Wall/ceiling mounting
Nominal cross section	4,00 - 10,00 mm ²
Nominal voltage	750,00 V
Protection rating	IP67
Protection rating	IP 67
Protection rating IK code	IK09
Sealable	<input checked="" type="checkbox"/>
Impact-resistant	<input checked="" type="checkbox"/>
max. permitted ambient temperature	-25,00 - 65,00 °C
Transparent lid	<input checked="" type="checkbox"/>
Weatherproof	<input checked="" type="checkbox"/>