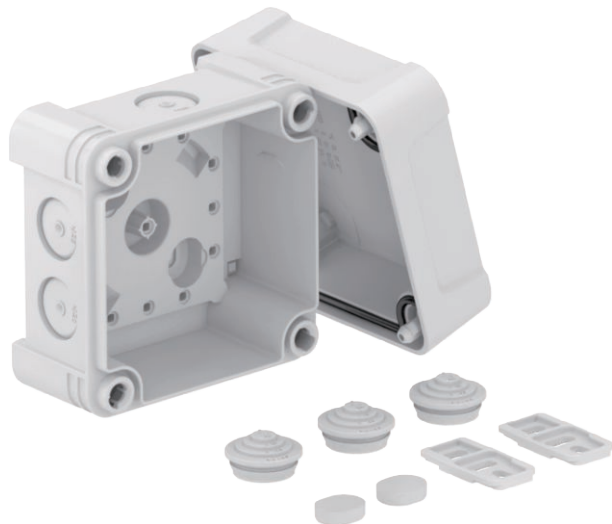


Technical data sheet

Junction box X 02

Item no. 2005004



Junction box for the connection of cables and lines indoors and in outdoor areas. Square design with knock-out entries. Suitable for wall and ceiling mounting with the option to fasten outside, inside or to mount via the corner domes. Particularly impact resistant with IK09. Cover with quick lock, sealable. Made from halogen-free and UV-resistant materials.

Junction box according to DIN EN 60670. Flame-resistant to DIN EN 60695/2/11, test temperature 650 °C. Impact resistance IK09 according to DIN EN 50102. Protection rating IP67 according to DIN EN 60529.



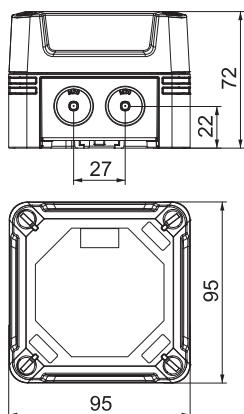
PC Polycarbonate

Additional product text, instruction	The junction box is tested according to DIN EN 60670-1, VDE 0606-1:2014 (EN 60670-1:2005 + Cor.:2007 + Cor.:2010 + A1:2013) and DIN EN 60670-22, VDE 0606-22:2007 (EN 60670-22:2006).
Additional product text 1	The junction box fulfils the protection type test requirements to IP 67 according to DIN EN 60529, VDE0470-1:2014 (EN 60529/AC:2016).

Master data

Item no.	2005004
Type	X02 LGR
Description 1	Junction box
Dimension	95x95x72
Colour	Light grey
RAL number	7035
Material	Polycarbonate
Material symbol	PC
Smallest sales unit (VG)	1 Piece
Weight	17,80 kg/100 pc.

Technical data



Length	95,00 mm
Width	95,00 mm
Height	72,00 mm
Clear internal dimensions	85x85x57 mm
Dimension LxWxH	95x95x72 mm
Expandable	<input checked="" type="checkbox"/>
No. of entries	7
Type of entry	Cutttable stepped membrane
Type of housing penetration	Pre-marking
Measured insulation voltage Vi	750,00 V
Equipment	Without
Cover	Not transparent
Cover fastening	Screwed
Entries	7 x Ø20
Entry from rear	<input type="checkbox"/>
Explosion-tested version	<input type="checkbox"/>
Flame-resistant	acc. to VDE 0471/DIN 695 Part 2-1, test temperature 650°C
Shape	Square
Fibre-glass reinforced	<input checked="" type="checkbox"/>

Technical data sheet

Junction box X 02

Item no. 2005004



Technical data

Halogen-free	<input checked="" type="checkbox"/>
Max. conductor cross-section	2,50 mm ²
With screening	<input type="checkbox"/>
With cover	<input checked="" type="checkbox"/>
Installation type	On cable tray
Mounting type	Wall/ceiling mounting
Nominal cross section	1,00 - 2,50 mm ²
Nominal voltage	750,00 V
Protection rating	IP67
Protection rating	IP 67
Protection rating IK code	IK09
Sealable	<input checked="" type="checkbox"/>
Impact-resistant	<input checked="" type="checkbox"/>
max. permitted ambient temperature	-25,00 - 65,00 °C
Transparent lid	<input type="checkbox"/>
Weatherproof	<input checked="" type="checkbox"/>