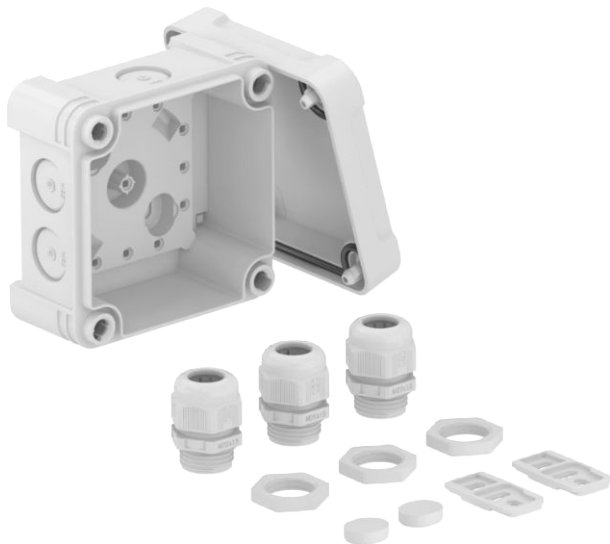


Technical data sheet

Junction box X 01 with cable gland

Item no. 2005030



Junction box for the connection of cables and lines indoors and in outdoor areas. Square design with knock-out entries. Suitable for wall and ceiling mounting with the option to fasten outside, inside or to mount via the corner domes. Particularly impact resistant with IK09. Cover with quick lock, sealable. Made from halogen-free and UV-resistant materials. Including 3 cable glands V-TEC M20 and 3 locknuts.

Junction box according to DIN EN 60670. Flame-resistant to DIN EN 60695/2/11, test temperature 650 °C. Impact resistance IK09 according to DIN EN 50102. Protection rating IP67 according to DIN EN 60529.



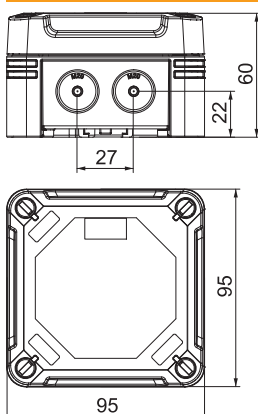
PC Polycarbonate

Additional product text, instruction	The junction box is tested according to DIN EN 60670-1, VDE 0606-1:2014 (EN 60670-1:2005 + Cor.:2007 + Cor.:2010 + A1:2013) and DIN EN 60670-22, VDE 0606-22:2007 (EN 60670-22:2006).
Additional product text 1	The junction box fulfils the protection type test requirements to IP 67 according to DIN EN 60529, VDE0470-1:2014 (EN 60529/AC:2016).
Additional product text 2	In addition, the type X01 G M20 LGR also includes three V-TEC cable glands and three locknuts.

Master data

Item no.	2005030
Type	X01 G M20 LGR
Description 1	Junction box
Description 2	with 3xV-TEC VM and 3x116
Dimension	95x95x60
Colour	Light grey
RAL number	7035
Material	Polycarbonate
Material symbol	PC
Smallest sales unit (VG)	1 Piece
Weight	19,00 kg/100 pc.

Technical data



Length	95,00 mm
Width	95,00 mm
Height	60,00 mm
Clear internal dimensions	85x85x45 mm
Dimension LxWxH	95x95x60 mm
Expandable	<input checked="" type="checkbox"/>
No. of entries	7
Type of entry	Gland
Type of housing penetration	Pre-marking
Measured insulation voltage Vi	750,00 V
Equipment	Other
Cover	Not transparent
Cover fastening	Screwed
Entries	7 x Ø20
Entry from rear	<input type="checkbox"/>

Technical data sheet

Junction box X 01 with cable gland

Item no. 2005030



Technical data

Explosion-tested version	<input type="checkbox"/>
Flame-resistant	acc. to VDE 0471/DIN 695 Part 2-1, test temperature 650°C
Shape	Square
Fibre-glass reinforced	<input checked="" type="checkbox"/>
Halogen-free	<input checked="" type="checkbox"/>
Max. conductor cross-section	1,50 mm ²
With screening	<input type="checkbox"/>
With cover	<input checked="" type="checkbox"/>
Installation type	On cable tray
Mounting type	Wall/ceiling mounting
Nominal cross section	0,80 - 1,50 mm ²
Nominal voltage	750,00 V
Protection rating	IP67
Protection rating	IP 67
Protection rating IK code	IK09
Sealable	<input checked="" type="checkbox"/>
Impact-resistant	<input checked="" type="checkbox"/>
max. permitted ambient temperature	-25,00 - 65,00 °C
Transparent lid	<input type="checkbox"/>
Weatherproof	<input checked="" type="checkbox"/>