

Technical data sheet

Cap nut cable gland, EMC, metric thread, nickel-plated

Item no. 2086219



With metric connecting thread to IEC 423, robust EMV cap-nut cable gland with large sealing area. Strain relief, wringing protection and tightness over the whole clamping area. Neoprene sealing ring. Polyamide terminal insert. With pre-mounted O sealing ring on connection thread, VDE-tested to DIN EN 50262, protection rating IP 68 at 5 bar for 1 hr.

* Prices according to DEL notation.

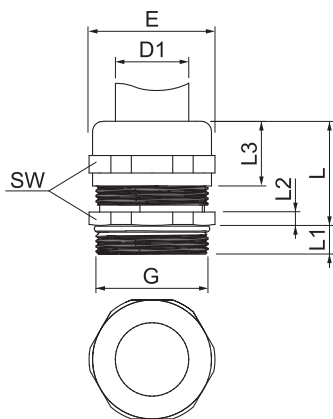


CuZn	Brass
N	Nickel-plated

Master data

Item no.	2086219
Type	V-TEC VM32 EMV
Description 1	Cable gland EMV
Description 2	for cable with shielding
Dimension	M32
Material	Brass
Material symbol	CuZn
Surface	Nickel-plated
Surface symbol	N
Smallest sales unit (VG)	20 Piece
Weight	7,66 kg/100 pc.

Technical data



Dimension E	36,00 mm
Dimension L max.	38,00 mm
Dimension L1	8,00 mm
Dimension L2	4,50 mm
Dimension L3	18,50 mm
WAF	34,00 mm
Version	Straight
Type of seal	Sealing ring
Bend protection	<input type="checkbox"/>
Sealing range D	14,00 - 21,00 mm
Flat cable threaded connection	<input type="checkbox"/>
For Ex zone	Without
Thread	M32 x1,5
Thread type	Metric
Thread length	8,00 mm
Fibre-glass reinforced	<input type="checkbox"/>
Halogen-free	<input type="checkbox"/>
Installation torque	12,00 Nm
Impact category	6
Strain relief category	A

Technical data sheet

Cap nut cable gland, EMC, metric thread, nickel-plated

Item no. 2086219



Technical data

Multiple sealing insert	<input type="checkbox"/>
With locknut	<input type="checkbox"/>
Impact-resistant	<input type="checkbox"/>
Protection rating	IP68
max. permitted ambient temperature	-20,00 - 100,00 °C
Strain relief option	<input checked="" type="checkbox"/>