

Technical data sheet

Cap nut cable gland, PG thread, nickel-plated

Item no. 2085607



Cable gland of cap-nut design with large sealing area, and strain relief and torsion protection for high sealing demands with Pg connection thread to DIN 40430, polyamide terminal insert, sealing ring of chloroprene/nitrile rubber, with pre-mounted O ring on the connection thread.

Protection rating IP 68 at 5 bar: 1 hr, tested to VDE 0619.

"Normal" connection thread length, according to DIN 46320.

* Prices according to DEL notation.



| | |
|------|---------------|
| CuZn | Brass |
| N | Nickel-plated |

Master data

| | |
|--------------------------|-----------------|
| Item no. | 2085607 |
| Type | V-TEC PG7 MS |
| Description 1 | Cable gland |
| Dimension | PG7 |
| Material | Brass |
| Material symbol | CuZn |
| Surface | Nickel-plated |
| Surface symbol | N |
| Smallest sales unit (VG) | 50,00 Piece |
| Weight | 1,04 kg/100 pc. |

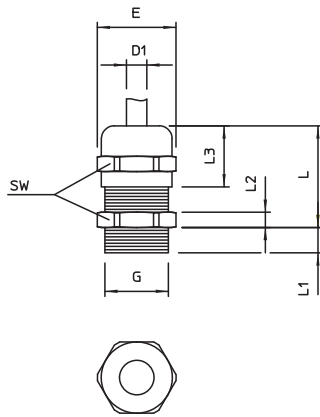
Technical data sheet

Cap nut cable gland, PG thread, nickel-plated

Item no. 2085607



Technical data



| | |
|--|-------------------------------------|
| Dimension E | 15,50 mm |
| Dimension L max. | 20,00 mm |
| Dimension L1 | 5,00 mm |
| Dimension L2 | 3,00 mm |
| Dimension L3 | 12,00 mm |
| WAF | 14,00 mm |
| Version | Straight |
| Type of seal | Sealing ring |
| Bend protection | <input type="checkbox"/> |
| Sealing range D | 2,50 - 6,50 mm |
| Sealing range D | 0,14 - 0,26 in |
| explosion-proof | <input type="checkbox"/> |
| Flat cable threaded connection | <input type="checkbox"/> |
| For Ex zone | Without |
| For Ex zone gas | Without |
| For Ex zone dust | Without |
| Thread | Pg 7 |
| Thread type | PG |
| Thread length | 5,00 mm |
| Nominal thread size | 7,00 |
| Fibre-glass reinforced | <input type="checkbox"/> |
| Halogen-free | <input type="checkbox"/> |
| Multiple sealing insert | <input type="checkbox"/> |
| With locknut | <input type="checkbox"/> |
| Impact-resistant | <input type="checkbox"/> |
| Protection rating | IP68 |
| Splittable gland | <input type="checkbox"/> |
| max. permitted ambient temperature | -20,00 - 100,00 °C |
| Strain relief and wringing protection D2 | 3,00 - 6,50 mm |
| Strain relief option | <input checked="" type="checkbox"/> |