

Technical data sheet

Junction box T 25, plug-in seal

Item no. 2007509



Junction box for the connection of cables and lines indoors and in protected outdoor areas. Round design with plug-in seals to the sides and knock-out entries in the bottom. Suitable for wall and ceiling mounting, on mounting panels and threads in the floor. With the option to fasten inside. With fixed clamping cover. Made from halogen-free materials. Junction box according to DIN EN 60670. Flame-resistant to DIN EN 60695/2/11, test temperature 650 °C. Impact resistance IK07 according to DIN EN 50102.



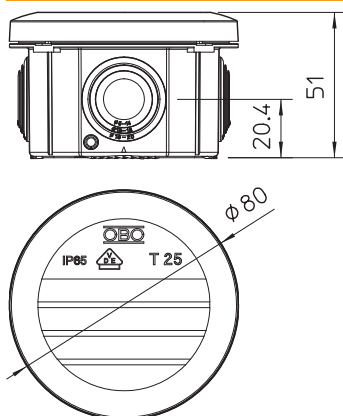
PP Polypropylene

Additional product text, instruction
Standard version: flame-resistant, testing temperature 650 °C.
F version: highly flame-resistant, testing temperature 960 °C.

Master data

Item no.	2007509
Type	T 25 RW
Description 1	Junction box
Description 2	with entries
Dimension	Ø80x51
Colour	Pure white
RAL number	9010
Material	Polypropylene
Material symbol	PP
Smallest sales unit (VG)	5 Piece
Weight	4,19 kg/100 pc.

Technical data



Height	51,00 mm
Diameter	80,00 mm
Clear internal dimensions	Ø63x45 mm
Dimension LxWxH	xx51 mm
Dimension	Ø80x51 mm
Expandable	<input checked="" type="checkbox"/>
No. of entries	4
Type of entry	Cable
Type of entry	Plug-in seal
Type of housing penetration	Cutttable stepped membrane
Version	Standard
Measured insulation voltage Vi	500,00 V
Cover	Not transparent
Cover fastening	Locking
Entries	4 x M25
Entry from rear	<input checked="" type="checkbox"/>
Explosion-tested version	<input type="checkbox"/>
Flame-resistant	acc. to VDE 0471/DIN 695 Part 2-1, test temperature 650°C

Technical data sheet

Junction box T 25, plug-in seal

Item no. 2007509



Technical data

Shape	Round
Function maintenance (ETIM)	Without
For Ex zone	Without
For Ex zone gas	Without
For Ex zone dust	Without
Fibre-glass reinforced	<input type="checkbox"/>
Halogen-free	<input checked="" type="checkbox"/>
With screening	<input type="checkbox"/>
with lid	With locking lid
With cover	<input checked="" type="checkbox"/>
Installation type	Wall/ceiling mounting
Mounting type	Wall/ceiling mounting
Nominal cross section	2,50 mm ²
Nominal voltage	500,00 V
Protection rating	IP65
Protection rating	IP65
Protection rating IK code	IK07.
Sealable	<input type="checkbox"/>
max. permitted ambient temperature	-5,00 - 60,00 °C
Transparent lid	<input type="checkbox"/>
Weatherproof	<input type="checkbox"/>