

Technical data sheet

Junction box T 100, plug-in seal

Item no. 2007081



Junction box for the connection of cables and lines indoors and in protected outdoor areas. Rectangular design with plug-in seals to the sides and knock-out entries in the bottom. Suitable for wall and ceiling mounting and on mounting panels. With the option to fasten inside and to mount via the corner domes. Cover with quick lock, sealable. Made from halogen-free materials. Junction box according to DIN EN 60670. Flame-resistant to DIN EN 60695/2/11, test temperature 650 °C. Impact resistance IK07 according to DIN EN 50102.



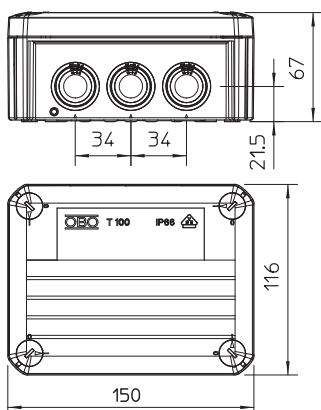
PP Polypropylene

Additional product text, instruction
Standard version: flame-resistant, testing temperature 650 °C.
F version: highly flame-resistant, testing temperature 960 °C.

Master data

Item no.	2007081
Type	T 100 M25-M32
Description 1	Junction box
Description 2	with 8x M25 entries, 2x M32
Dimension	150x116x67
Colour	Light grey
RAL number	7035
Material	Polypropylene
Material symbol	PP
Smallest sales unit (VG)	1 Piece
Weight	16,30 kg/100 pc.

Technical data



Length	150,00 mm
Width	116,00 mm
Height	67,00 mm
Clear internal dimensions	136x102x57 mm
Dimension LxWxH	150x116x67 mm
Dimension	150x116x67 mm
Expandable	<input checked="" type="checkbox"/>
No. of entries	10
Type of entry	Cable
Type of entry	Plug-in seal
Type of housing penetration	Cutttable stepped membrane
Version	Large entry
Measured insulation voltage Vi	500,00 V
Equipment	Without
Cover	Not transparent
Cover fastening	Screwed
Entries	8 x M25 2 x M32
Entry from rear	<input checked="" type="checkbox"/>

Technical data sheet

Junction box T 100, plug-in seal

Item no. 2007081



Technical data

Explosion-tested version	<input type="checkbox"/>
Flame-resistant	acc. to VDE 0471/DIN 695 Part 2-1, test temperature 650°C
Shape	Rectangular
Function maintenance (ETIM)	Without
For Ex zone	Without
For Ex zone gas	Without
For Ex zone dust	Without
Fibre-glass reinforced	<input type="checkbox"/>
Halogen-free	<input checked="" type="checkbox"/>
With screening	<input type="checkbox"/>
with lid	With four lid quick-release locks
With cover	<input checked="" type="checkbox"/>
Installation type	Wall/ceiling mounting
Mounting type	Wall/ceiling mounting
Nominal cross section	10,00 mm ²
Nominal voltage	500,00 V
Protection rating	IP66
Protection rating	IP66
Protection rating IK code	IK07.
Sealable	<input checked="" type="checkbox"/>
max. permitted ambient temperature	-5,00 - 60,00 °C
Transparent lid	<input type="checkbox"/>
Weatherproof	<input type="checkbox"/>