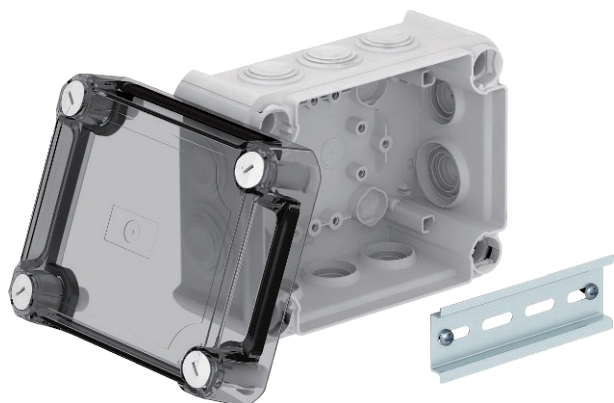


Technical data sheet

Junction box T100, with plug-in seal, transparent elevated cover

Item no. 2007752



Junction box for the connection of cables and lines indoors and in protected outdoor areas. Rectangular design with plug-in seals to the sides and knock-out entries in the bottom. Suitable for wall and ceiling mounting and on mounting panels. With the option to fasten inside and to mount via the corner domes. High, transparent cover with quick lock, sealable. Made from halogen-free materials.

With hat profile rail.

Junction box according to DIN EN 60670. Flame-resistant to DIN EN 60695/2/11, test temperature 650 °C. Impact resistance IK07 according to DIN EN 50102.



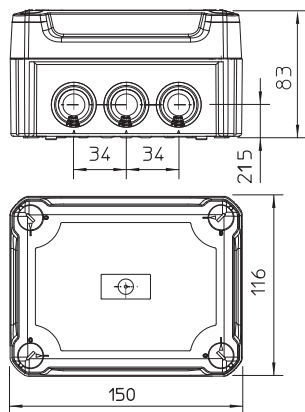
PP/PC Polypropylene/polycarbonate

Additional product text, instruction	acc. to VDE 0471/DIN 695 Part 2-1, test temperature 650°C
Additional product text 1	Box cover transparent. Cable box with membrane insertion and hat profile rail
Additional product text 2	Clear internal dimensions: 136x102x74 mm

Master data

Item no.	2007752
Type	T 100 HD TR
Description 1	Junction box
Description 2	with high transparent cover
Dimension	150x116x83
Colour	Light grey
RAL number	7035
Material	Polypropylene / polycarbonate
Material symbol	PP/PC
Smallest sales unit (VG)	1 Piece
Weight	22,55 kg/100 pc.

Technical data



Length	150,00 mm
Width	116,00 mm
Height	83,00 mm
Clear internal dimensions	136x102x74 mm
Dimension LxWxH	150x116x83 mm
Dimension	150x116x83 mm
Expandable	<input checked="" type="checkbox"/>
No. of entries	10
Type of entry	Cable
Type of entry	Plug-in seal
Type of housing penetration	Other
Measured insulation voltage Vi	500,00 V
Equipment	Without
Cover	Transparent
Cover fastening	Screwed
Entries	10xM25
Entry from rear	<input checked="" type="checkbox"/>
Explosion-tested version	<input type="checkbox"/>
Flame-resistant	acc. to VDE 0471/DIN 695 Part 2-1, test temperature 650°C
Shape	Rectangular
Function maintenance (ETIM)	Without
For Ex zone	Without

Technical data sheet

Junction box T100, with plug-in seal, transparent elevated cover

Item no. 2007752



Technical data

For Ex zone gas	Without
For Ex zone dust	Without
Halogen-free	<input checked="" type="checkbox"/>
With screening	<input type="checkbox"/>
with lid	Yes
With cover	<input checked="" type="checkbox"/>
Installation type	Wall/ceiling mounting
Mounting type	Wall/ceiling mounting
Nominal voltage	500,00 V
Protection rating	IP66
Protection rating	IP66
Protection rating IK code	IK07.
Sealable	<input checked="" type="checkbox"/>
max. permitted ambient temperature	-5,00 - 60,00 °C
Transparent lid	<input type="checkbox"/>
Weatherproof	<input checked="" type="checkbox"/>