

Technical data sheet

Screw-in beam clamp, universal

Item no. 1484702



Various fastening options (horizontal and vertical).

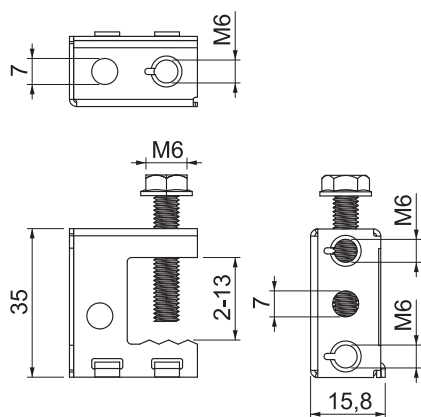


- St** Steel
- ZL** Zinc slat

Master data

Item no.	1484702
Type	TK 213
Description 1	Carrier screw clamp
Dimension	2-13mm
Material	Steel
Material symbol	St
Surface	Zinc slat
Surface symbol	ZL
Smallest sales unit (VG)	100 Piece
Weight	2,72 kg/100 pc.

Technical data



Height	35,00 mm
Dimension B	15,80 mm
Dimension H	35,00 mm
Connection type/component	Other
Fastening type	Screw
Fastening hole	6,50 mm
Breaking load	0,55 kN
Flangethickness	2,00 - 13,00 mm
Hinge, adjustable	<input type="checkbox"/>
Hinged	<input type="checkbox"/>