

Technical data sheet

Beam clamp SSP 6-21

Item no. 1486286



This type of support clamp is pushed onto the support and fixed to the girder or flat iron using a pressure trough and bolt (M8). The hexagonal bolt has a WAF of 10 mm. In the clip element also two more M8 threads are introduced, for example to attach threaded rods.

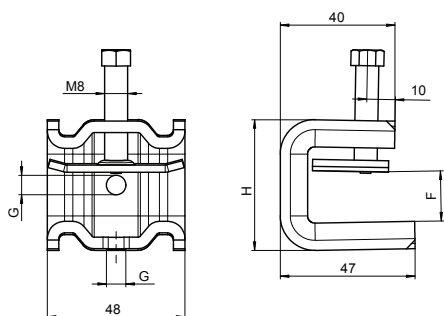


A4 Stainless steel, rustproof 1.4404
2B Bright, reworked

Master data

Item no.	1486286
Type	SSP 6-21 M8 A4
Description 1	Beam clamp
Description 2	heavyweight design
Dimension	6-21 mm
Material	Stainless steel, material no. 1.4404
Material symbol	A4
Surface	Bright, reworked
Surface symbol	2B
Smallest sales unit (VG)	25 Piece
Weight	23,20 kg/100 pc.

Technical data



Dimension B	48,00 mm
Dimension H	46,00 mm
Dimension L	47,00 mm
Connection type/component	Thread
Fastening type	Clamp
Breaking load F1	1,75 kN
Breaking load F2	1,50 kN
Flangethickness for threaded rod	6,00 - 21,00 mm
For metric threaded rod	M8
Thread	M8
Thread size M	8
Hinge, adjustable	<input type="checkbox"/>
Hinged	<input type="checkbox"/>

Technical data sheet

Beam clamp SSP 6-21

Item no. 1486286



Technical data

