

# Technical data sheet

## Beam clamp SSP 6-21

Item no. 1486232



This type of beam clamp is pushed onto the support and fixed to the girder or flat iron using a pressure trough and bolt (M8). The hexagonal bolt has a WAF of 10 mm. In the clip element, two additional M6 threads are also incorporated, to fix threaded rods, for example.

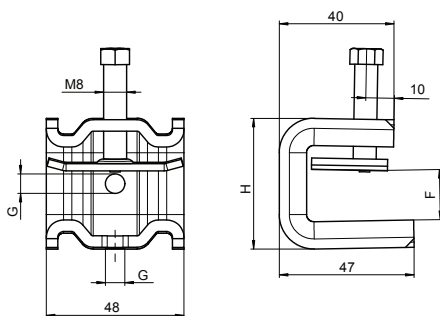


St	Steel
FT	Hot-dip galvanised

### Master data

Item no.	1486232
Type	SSP 6-21 M6 FT
Description 1	Beam clamp
Description 2	heavyweight design
Dimension	6-21 mm
Material	Steel
Material symbol	St
Surface	Hot-dip galvanised
Surface to DIN	DIN EN ISO 1461
Surface symbol	FT
Smallest sales unit (VG)	25 Piece
Weight	23,90 kg/100 pc.

### Technical data



Dimension B	48,00 mm
Dimension H	46,00 mm
Dimension L	47,00 mm
Connection type/component	Thread
Fastening type	Clamp
Breaking load F1	1,75 kN
Breaking load F2	1,50 kN
Flangethickness	6,00 - 21,00 mm
for threaded rod	M6
For metric threaded rod	6
Thread	M8
Thread size M	8
Hinge, adjustable	<input type="checkbox"/>
Hinged	<input type="checkbox"/>

# Technical data sheet

## Beam clamp SSP 6-21

Item no. 1486232



### Technical data

