

Technical data sheet

Beam clamp SSP 20-40

Item no. 1486238



This type of beam clamp is pushed onto the support and fixed to the girder or flat iron using a pressure trough and bolt (M8). The hexagonal bolt has a WAF of 10 mm. In the clip element, two additional M6 threads are also incorporated, to fix threaded rods, for example.

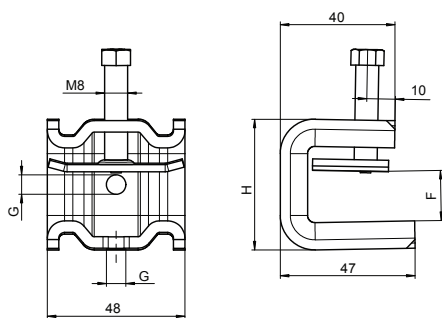


St	Steel
FT	Hot-dip galvanised

Master data

Item no.	1486238
Type	SSP 20-40 M6 FT
Description 1	Beam clamp
Description 2	heavyweight design
Dimension	20-40mm
Material	Steel
Material symbol	St
Surface	Hot-dip galvanised
Surface to DIN	DIN EN ISO 1461
Surface symbol	FT
Smallest sales unit (VG)	25 Piece
Weight	27,70 kg/100 pc.

Technical data



Dimension B	48,00 mm
Dimension H	65,00 mm
Dimension L	47,00 mm
Connection type/component	Thread
Fastening type	Clamp
Breaking load F1	1,40 kN
Breaking load F2	1,30 kN
Flangethickness for threaded rod	20,00 - 40,00 mm
For metric threaded rod	M6
Thread	6
Thread size M	M8
Hinge, adjustable	<input type="checkbox"/>
Hinged	<input type="checkbox"/>

Technical data sheet

Beam clamp SSP 20-40

Item no. 1486238



Technical data

