

Technical data sheet

Electrogalvanised steel bend, with thread

Item no. 2046781



90° bend for electrical installation pipes according to EN 61386-1 with threaded ends to DIN EN 60423. With burr-free inner wall.
One connection sleeve is already screwed onto each pipe bend.

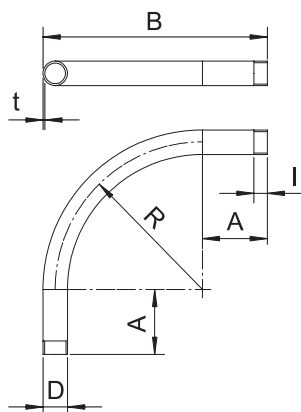


| | |
|-----------|-------------------|
| St | Steel |
| G | Electrogalvanised |

Master data

| | |
|--------------------------|----------------------------|
| Item no. | 2046781 |
| Type | SBNM32 G |
| Description 1 | Conduit threaded bend |
| Description 2 | with threaded coupler |
| Dimension | M32x1,5 |
| Material | Steel |
| Material symbol | St |
| Surface | Electrogalvanised |
| Surface to DIN | EN ISO 19598 / EN ISO 4042 |
| Surface symbol | G |
| Smallest sales unit (VG) | 20 Piece |
| Weight | 56,60 kg/100 pc. |

Technical data



| | |
|---------------------------------|-------------------------------------|
| Dimension A | 88,00 mm |
| Dimension B | 254,00 mm |
| Dimension D | 32,00 mm |
| Dimension M | M32 |
| Dimension R | 150,00 mm |
| Dimension t | 1,60 mm |
| Dimension I | 18,00 mm |
| Version | Thread |
| Thread | M32x1,5 |
| For nominal pipe diameter | 32,00 mm |
| Flexible | <input type="checkbox"/> |
| Halogen-free | <input type="checkbox"/> |
| With inspection opening and lid | <input type="checkbox"/> |
| With sleeve | <input checked="" type="checkbox"/> |
| Polished surface | <input type="checkbox"/> |
| Brushed surface | <input type="checkbox"/> |
| Angle of the bend | 90,00 ° |
| Two-part | <input type="checkbox"/> |