

Technical data sheet

End cap MS4141

Item no. 1122906



End cap for profile rail, type MS4141.

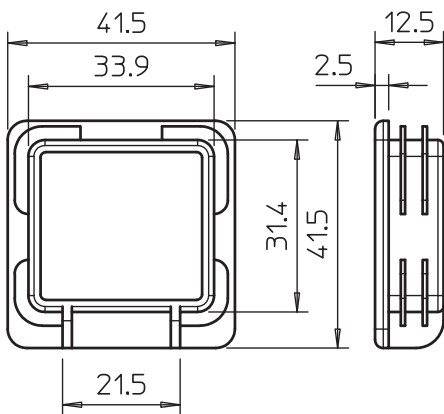


PE Polyethylene

Master data

Item no.	1122906
Type	MS4141 EK
Description 1	End cap
Description 2	for profile rail MS 41
Dimension	41x41 mm
Colour	Pastel orange
RAL number	2003
Material	Polyethylene
Material symbol	PE
Smallest sales unit (VG)	50 Piece
Weight	0,67 kg/100 pc.

Technical data



Length	12,50 mm
Width	41,50 mm
Height	41,50 mm
Version	End cap
Suitable for	C profile