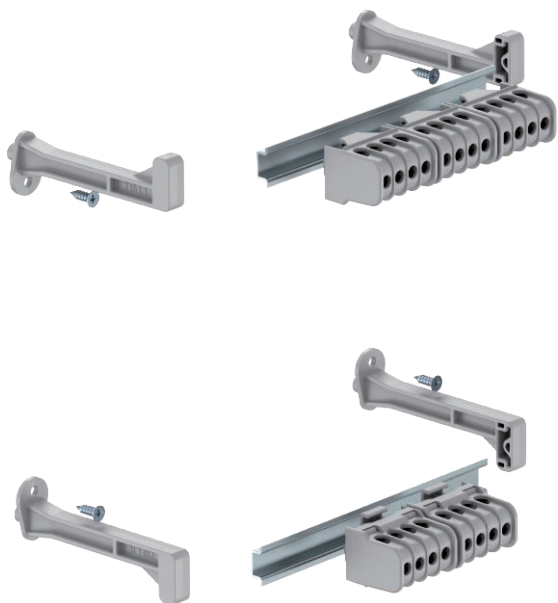


Technical data sheet

Terminal strip set for X series

Item no. 2008931



Terminal strip set for the distribution boxes of the SDB series. The sets can be used to expand and equip empty distribution boxes of the SDB series.

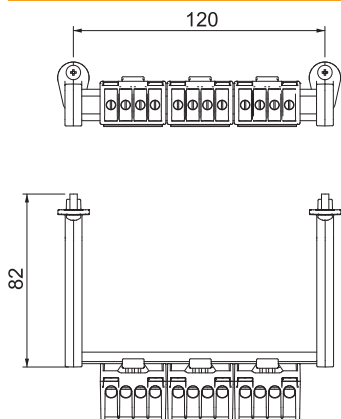


Additional product text, instruction	The terminal strip set with screw terminals contains:
Additional product text 1	Mounting instructions; hat rail with corresponding support and fastening material; 16 mm ² protective conductor terminal; 16 mm ² neutral conductor terminal

Master data

Item no.	2008931
Type	KL-X10 06-16
Description 1	Terminal strip pack
Description 2	with screw terminals
Dimension	6-16mm ²
Smallest sales unit (VG)	1 Piece
Weight	17,60 kg/100 pc.

Technical data



Number of screwless terminals per pole	4
Nominal cross section	6,00 - 16,00 mm ²
Nominal voltage	450,00 V
Nominal current	100,00 A
Pole number	5