

Technical data sheet

Terminal strip 16-35 mm², junction box, T series, X series

Item no. 2016195



Brass terminals, steel screws, electrogalvanised and transparently passivated, nominal cross-section 16 ÷ 35 mm², nominal voltage 400 V, 1-pin, with terminal sockets, max. connectable conductor per terminal 4 x 35 mm², 4 x 25 mm², 8 x 16 mm² or 12 x 10 mm².

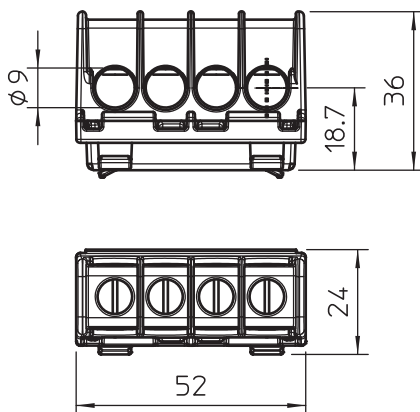


PA Polyamide

Master data

Item no.	2016195
Type	KL-T 16-35
Description 1	Terminal strip
Dimension	35mm ²
Colour	Light grey
Material	Polyamide
Material symbol	PA
Smallest sales unit (VG)	10 Piece
Weight	5,63 kg/100 pc.

Technical data



Length	52,00 mm
Width	24,00 mm
Height	36,00 mm
Closing plate required	<input type="checkbox"/>
Connectable conductor cross-section, single-wire	10,00 - 35,00 mm ²
Connection position	Side
No. of terminals	4
Number of screwless terminals per pole	1
Version of electrical connection 1	Screw connection
Explosion-tested version	<input type="checkbox"/>
Insulation material	Thermoplast
Mounting type	Other
Nominal cross section	16,00 - 35,00 mm ²
Nominal voltage	400,00 V
Nominal current	125,00 A
Pole number	1
Cross-section	Max. connectable conductors per terminal max. 4 x 35 mm ² , 4 x 25 mm ² , 8x16 mm ² or 12 x 10 mm ² mm ²
Transparent	<input type="checkbox"/>