

# Technical data sheet

Terminal strip 6–16 mm<sup>2</sup>, junction box, T series, X series

Item no. 2016190



Brass terminals, steel screws, electrogalvanised and transparently passivated, nominal cross-section 6 + 16 mm<sup>2</sup>, nominal voltage 400 V, 1-pin, with terminal sockets, max. connectable conductor per terminal 4 x 16 mm<sup>2</sup>, 4 x 10 mm<sup>2</sup>, 8 x 6 mm<sup>2</sup> or 12 x 4 mm<sup>2</sup>.



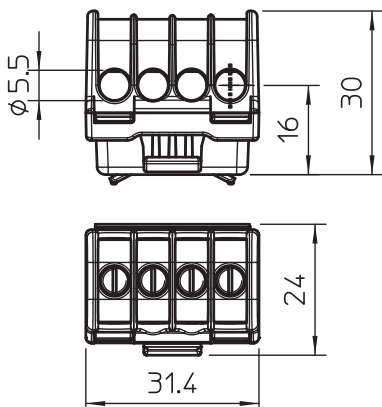
**PA** Polyamide

Additional product text, instruction | System accessories for junction boxes T100, T160, T250, T350

## Master data

Item no.	2016190
Type	KL-T 06-16
Description 1	Terminal strip
Dimension	16mm <sup>2</sup>
Colour	Light grey
Material	Polyamide
Material symbol	PA
Smallest sales unit (VG)	10 Piece
Weight	1,97 kg/100 pc.

## Technical data



Length	31,40 mm
Width	24,00 mm
Height	30,00 mm
Closing plate required	<input type="checkbox"/>
Connectable conductor cross-section, single-wire	4,00 - 16,00 mm <sup>2</sup>
Connection position	Side
No. of terminals	4
Number of screwless terminals per pole	1
Version of electrical connection 1	Screw connection
Explosion-tested version	<input type="checkbox"/>
Insulation material	Thermoplast
Mounting type	Other
Nominal cross section	6,00 - 16,00 mm <sup>2</sup>
Nominal voltage	400,00 V
Nominal current	76,00 A
Pole number	1

# Technical data sheet

Terminal strip 6–16 mm<sup>2</sup>, junction box, T series, X series

Item no. 2016190



## Technical data

Cross-section	Max. connectable conductors per terminal max. 4 x 16 mm <sup>2</sup> , 4 x 10 mm <sup>2</sup> , 8x6 mm <sup>2</sup> or 12 x 4 mm <sup>2</sup> mm <sup>2</sup>
Transparent	<input type="checkbox"/>