

Technical data sheet

Terminal strip 1.5-6 mm², junction box, T series, X series

Item no. 2016185



Terminals and screws made of steel, galvanised and transparent-chromated, nominal cross-section 1.5 ÷ 6 mm², rated voltage 400 V, five-pole, with socket terminals, max. connectable cross-sections per terminal: 3x6 mm², 4x4 mm² or 6x2.5 mm².



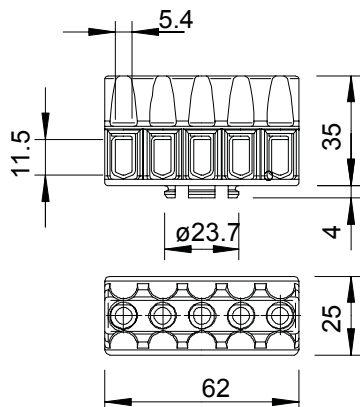
PA Polyamide

Additional product text, instruction | System accessories for B9/TM; T60 junction box

Master data

Item no.	2016185
Type	KL-T 02-06
Description 1	Terminal strip
Dimension	6mm ²
Colour	Light grey
Material	Polyamide
Material symbol	PA
Smallest sales unit (VG)	10 Piece
Weight	4,38 kg/100 pc.

Technical data



Length	62,00 mm
Width	25,00 mm
Height	35,00 mm
Closing plate required	<input type="checkbox"/>
Connectable conductor cross-section, single-wire	2,50 - 6,00 mm ²
Connection position	Side
No. of terminals	5
Number of screwless terminals per pole	1
Version of electrical connection 1	Screw connection
Explosion-tested version	<input type="checkbox"/>
Insulation material	Thermoplast
Mounting type	Other
Nominal cross section	1,50 - 6,00 mm ²
Nominal voltage	400,00 V
Nominal current	41,00 A
Pole number	5
Cross-section	Max. connectable cross-sections per terminal: 3 x 6 mm ² , 4 x 4 mm ² or 6 x 2.5 mm ² mm ²

Technical data sheet

Terminal strip 1.5-6 mm², junction box, T series, X series

Item no. 2016185



Technical data

Transparent