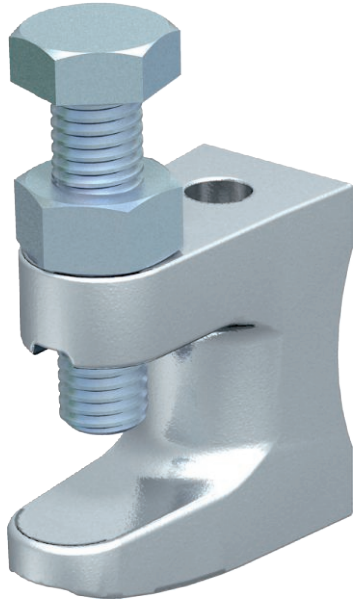


Technical data sheet

Screw-in beam clamp, with thread

Item no. 1488090



With thread.
Max. tightening torque: 21 Nm

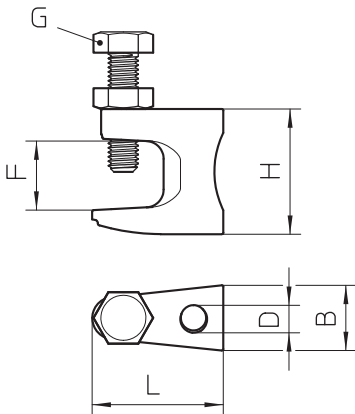


TG Malleable iron

Master data

Item no.	1488090
Type	FL3-G M12 TG
Description 1	Carrier screw clamp
Description 2	with female thread M12
Dimension	0-26mm
Material	Cast iron
Material symbol	TG
Smallest sales unit (VG)	25 Piece
Weight	22,00 kg/100 pc.

Technical data



Length	58,00 mm
Width	23,50 mm
Height	54,00 mm
Dimension B	23,50 mm
Dimension F	26,00 mm
Dimension G	M10
Dimension H	54,00 mm
Dimension L	58,00 mm
Connection type/component	Thread
Max. tightening torque	21,00 Nm
Fastening type	Screw
Breaking load	3,50 kN
Breaking load	3.500,00 N
Flangethickness for threaded rod	0,00 - 26,00 mm
For metric threaded rod	M12
Thread size M	12
Thread size M	12
Hinge, adjustable	<input type="checkbox"/>
Hinged	<input type="checkbox"/>