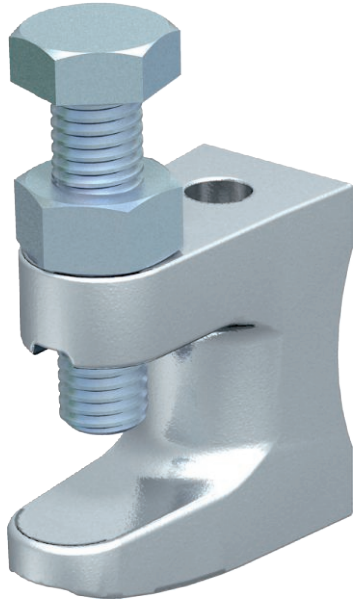


# Technical data sheet

## Screw-in beam clamp, with thread

Item no. 1488082



With thread.  
Max. tightening torque: 18 Nm

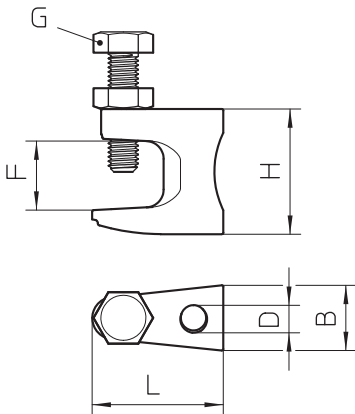


TG Malleable iron

### Master data

Item no.	1488082
Type	FL2-G M10 TG
Description 1	Carrier screw clamp
Description 2	with female thread M10
Dimension	0-19mm
Material	Cast iron
Material symbol	TG
Smallest sales unit (VG)	50 Piece
Weight	14,00 kg/100 pc.

### Technical data



Length	44,00 mm
Width	21,00 mm
Height	42,00 mm
Dimension B	21,00 mm
Dimension F	20,00 mm
Dimension G	M10
Dimension H	42,00 mm
Dimension L	44,00 mm
Connection type/component	Thread
Max. tightening torque	18,00 Nm
Fastening type	Screw
Breaking load	2,50 kN
Breaking load	2.500,00 N
Flangethickness for threaded rod	0,00 - 20,00 mm
For metric threaded rod	M10
Thread size M	10
Thread size M	10
Hinge, adjustable	<input type="checkbox"/>
Hinged	<input type="checkbox"/>