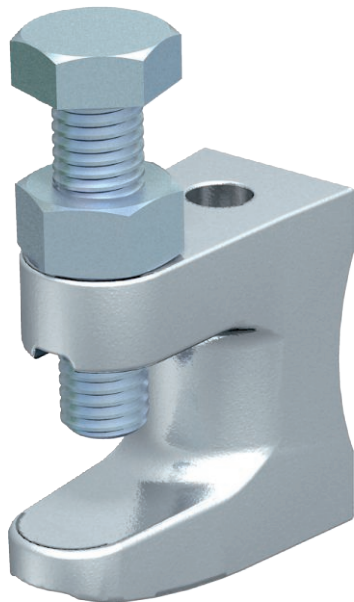


Technical data sheet

Screw-in beam clamp, with thread

Item no. 1488074



With thread.
Max. tightening torque: 8 Nm

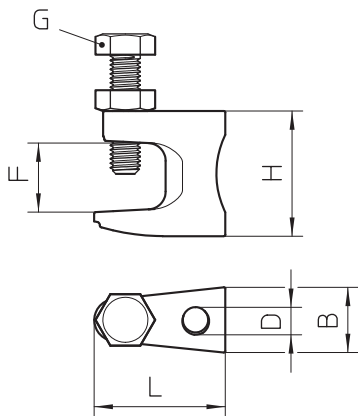


TG Malleable iron

Master data

Item no.	1488074
Type	FL1-G M8 TG
Description 1	Carrier screw clamp
Description 2	with female thread M8
Dimension	0-17mm
Material	Cast iron
Material symbol	TG
Smallest sales unit (VG)	50 Piece
Weight	8,50 kg/100 pc.

Technical data



Length	38,00 mm
Width	19,00 mm
Height	35,00 mm
Dimension B	19,00 mm
Dimension F	18,00 mm
Dimension G	M8
Dimension H	35,00 mm
Dimension L	38,00 mm
Connection type/component	Thread
Max. tightening torque	8,00 Nm
Fastening type	Screw
Breaking load	1,20 kN
Breaking load	1.200,00 N
Flangethickness for threaded rod	0,00 - 18,00 mm
For metric threaded rod	M8
Thread size M	8
Hinge, adjustable	<input type="checkbox"/>
Hinged	<input type="checkbox"/>