

Technical data sheet

EDS plug-in seal

Item no. 2012358



The push-in nipple can be cut back to suit the relevant cable diameter.

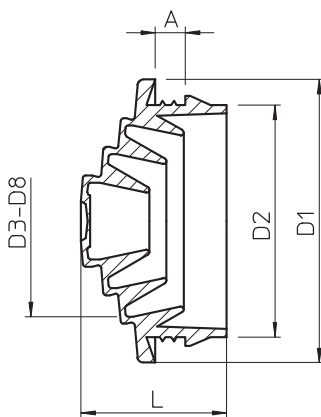


TPE Thermoplastic elastomer

Master data

Item no.	2012358
Type	EDS M32 LGR
Description 1	Plug-in seal
Description 2	for 3-mm wall thickness
Dimension	M32
Colour	Light grey
RAL number	7035
Material	Thermoplastic elastomer
Material symbol	TPE
Smallest sales unit (VG)	50 Piece
Weight	0,30 kg/100 pc.

Technical data



Dimension A	3,10 mm
Dimension D1	36,30 mm
Dimension D2	32,30 mm
Dimension D3	6,00 mm
Dimension D4	10,00 mm
Dimension D5	15,00 mm
Dimension D6	20,00 mm
Dimension D7	25,00 mm
Dimension D8	28,00 mm
Dimension L	17,80 mm
Dimension t	3,10 mm
Version	Cuttable
For diameter	0,00 - 28,00 mm
For wall thickness	2,50 - 3,10
Sealing range D	0,00 - 28,00 mm
Flame-resistant	acc. to VDE 0471/DIN 695 Part 2-1, test temperature 650°C
Size	M32
Halogen-free	<input checked="" type="checkbox"/>
Nominal diameter	32,00 mm
Protection rating	IP54