

Technical data sheet

EDS plug-in seal

Item no. 2012350



The push-in nipple can be cut back to suit the relevant cable diameter.

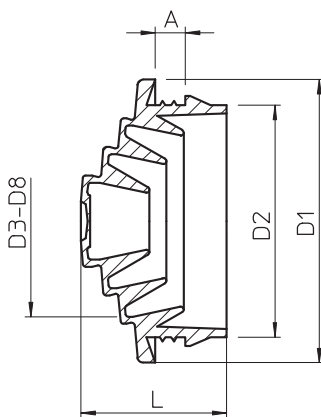


TPE Thermoplastic elastomer

Master data

Item no.	2012350
Type	EDS M20 LGR
Description 1	Plug-in seal
Description 2	for 3-mm wall thickness
Dimension	M20
Colour	Light grey
RAL number	7035
Material	Thermoplastic elastomer
Material symbol	TPE
Smallest sales unit (VG)	100 Piece
Weight	0,13 kg/100 pc.

Technical data



Dimension A	3,10 mm
Dimension D1	24,80 mm
Dimension D2	20,30 mm
Dimension D3	6,00 mm
Dimension D4	10,00 mm
Dimension D5	15,00 mm
Dimension D6	17,00 mm
Dimension L	12,80 mm
Dimension t	3,10 mm
Version	Cutttable
For diameter	0,00 - 17,00 mm
For wall thickness	2,50 - 3,10
Sealing range D	0,00 - 17,00 mm
Flame-resistant	acc. to VDE 0471/DIN 695 Part 2-1, test temperature 650°C
Size	M20
Halogen-free	<input checked="" type="checkbox"/>
Nominal diameter	20,00 mm
Protection rating	IP54