

Technical data sheet

Plug-in seal for pipes

Item no. 2011530



Plug-in seal for junction boxes for direct insertion of metric pipes

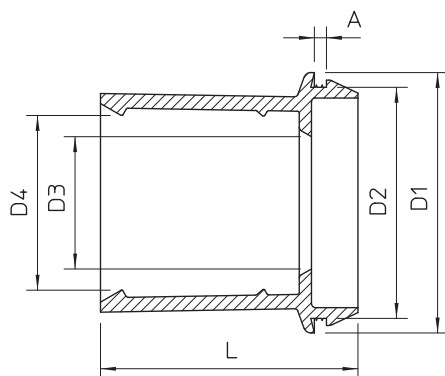


TPE Thermoplastic elastomer

Master data

Item no.	2011530
Type	EDR 32 25-32 LGR
Description 1	Plug-in seal
Description 2	for pipes
Dimension	Ø32/25-32
Colour	Light grey
RAL number	7035
Material	Thermoplastic elastomer
Material symbol	TPE
Smallest sales unit (VG)	50 Piece
Weight	1,17 kg/100 pc.

Technical data



Dimension A	2,20 mm
Dimension D1	37,00 mm
Dimension D2	32,30 mm
Dimension D3	24,00 mm
Dimension D4	31,20 mm
Dimension L	36,00 mm
Version	Open
For diameter	25,00 - 32,00 mm
For wall thickness	2,20 - 2,20
Sealing range D	25,00 - 32,00 mm
Size	M32
Halogen-free	<input checked="" type="checkbox"/>
Nominal diameter	32,00 mm
Protection rating	IP55