

# Technical data sheet

## Plug-in seal for pipes, T-series junction box, light grey

Item no. 2011506



Plug-in seal for junction boxes for direct insertion of metric pipes

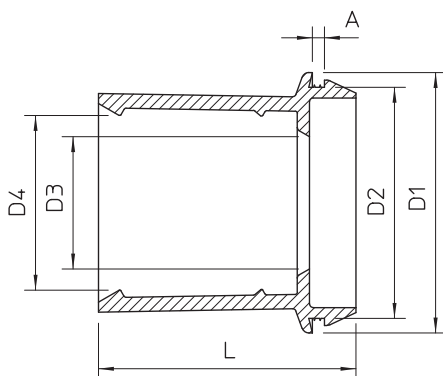


TPE Thermoplastic elastomer

### Master data

Item no.	2011506
Type	EDR 25 16-20 LGR
Description 1	Plug-in seal
Description 2	for pipes
Dimension	Ø25/16-20
Colour	Light grey
RAL number	7035
Material	Thermoplastic elastomer
Material symbol	TPE
Smallest sales unit (VG)	50 Piece
Weight	0,52 kg/100 pc.

### Technical data



Dimension A	2,20 mm
Dimension D1	29,50 mm
Dimension D2	25,30 mm
Dimension D3	15,00 mm
Dimension D4	18,40 mm
Dimension L	30,00 mm
Version	Open
For diameter	16,00 - 20,00 mm
For wall thickness	2,20 - 2,20
Sealing range D	16,00 - 20,00 mm
Size	M25
Halogen-free	<input checked="" type="checkbox"/>
Nominal diameter	25,00 mm
Protection rating	IP55