

Technical data sheet

Fastening element for cable tray



Item no. 2007835



The fastening element BE TS KR can be used to attach OBO junction boxes, type T60 and T100, to all standard cable trays in a few actions, quickly and without tools. This keeps the junction box securely in position. However, it can be quickly dismantled as necessary. This is all done without using tools.

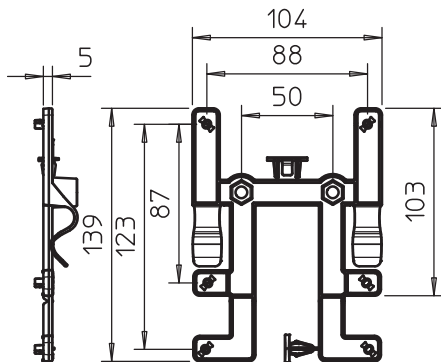


PC Polycarbonate

Master data

Item no.	2007835
Type	BE TS KR
Description 1	Fastening element T60-T100
Description 2	for cable trays
Colour	Light grey
Material	Polycarbonate
Material symbol	PC
Smallest sales unit (VG)	10 Piece
Weight	2,80 kg/100 pc.

Technical data



Width	104,00 mm
Height	139,00 mm
Version	horizontal
Fastening type	Clamp fastening
Rustproof steel, pickled	<input type="checkbox"/>