

# Technical data sheet

## Fastening element for mesh cable tray

Item no. 2007833



The fastening element BE TS GR can be used to attach OBO junction boxes, type T60 and T100, to mesh cable trays quickly and in a few actions. This keeps the junction box securely in position. However, it can be quickly dismantled as necessary.

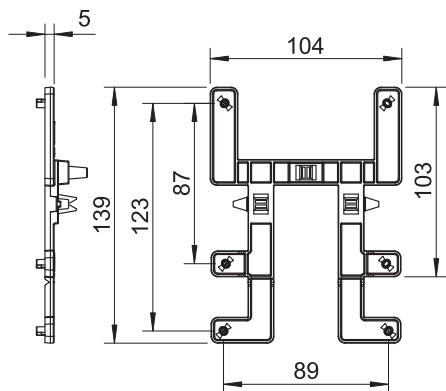


PC Polycarbonate

### Master data

Item no.	2007833
Type	BE TS GR
Description 1	Fastening element T60-T100
Description 2	for mesh cable trays
Dimension	139x104mm
Colour	Light grey
Material	Polycarbonate
Material symbol	PC
Smallest sales unit (VG)	10 Piece
Weight	2,30 kg/100 pc.

### Technical data



Width	104,00 mm
Height	139,00 mm
Version	horizontal
Fastening type	Click fastening
Rustproof steel, pickled	<input type="checkbox"/>