

Technical data sheet

Beam clamp, with fastening hole

Item no. 1483607



Beam clamp for knocking in with fastening hole as individual fastening solution on the beam.

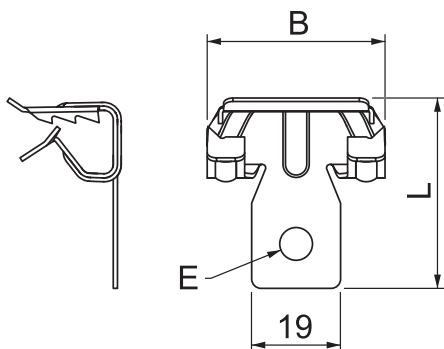


St	Steel
ZL	Zinc slat

Master data

Item no.	1483607
Type	BCVH 14-20
Description 1	Beam clamp
Description 2	with fastening hole
Dimension	14-20mm
Material	Steel
Material symbol	St
Surface	Zinc slat
Surface symbol	ZL
Smallest sales unit (VG)	100 Piece
Weight	1,95 kg/100 pc.

Technical data



Connection type/component	Hole
Fastening type	Clamp
Fastening hole	6,50 mm
Breaking load	950,00 N
Flangethickness	14,00 - 20,00 mm
Hinge, adjustable	<input type="checkbox"/>
Hinged	<input type="checkbox"/>