

# Technical data sheet

## Beam clamp, for threaded rod

Item no. 1483671



Beam clamp for knocking in with threaded rod seat as individual fastening solution on the beam.

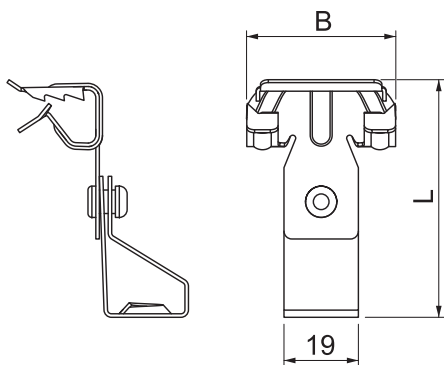


St	Steel
ZL	Zinc slat

### Master data

Item no.	1483671
Type	BCTR 8-14 M10
Description 1	Beam clamp
Description 2	with threaded rod M10
Dimension	8-14mm
Material	Steel
Material symbol	St
Surface	Zinc slat
Surface symbol	ZL
Smallest sales unit (VG)	50 Piece
Weight	3,20 kg/100 pc.

### Technical data



Connection type/component	Thread
Fastening type	Clamp
Breaking load	750,00 N
Flangethickness	8,00 - 14,00 mm
Thread	M10
Thread size M	10
Hinge, adjustable	<input type="checkbox"/>
Hinged	<input type="checkbox"/>