

Technical data sheet

Junction box A 8

Item no. 2000016



Protection rating IP55, rated voltage 400 V, nominal cross-section 2.5 ÷ mm², 7 entries for cable diameters of 5–14 mm.
Clamshell.
Dimensions: 75 x 75 x 36.2 mm
Clear internal dimensions: 65 x 65 x 32 mm
1 cut-out tool for every 10 boxes



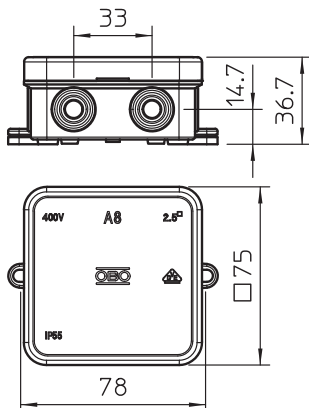
PE Polyethylene

Additional product text 1 | A8 VDE empty: without terminal block

Master data

Item no.	2000016
Type	A 8
Description 1	Junction box
Dimension	75x75x36
Colour	Light grey
RAL number	7035
Material	Polyethylene
Material symbol	PE
Smallest sales unit (VG)	10 Piece
Weight	3,65 kg/100 pc.

Technical data



Length	75,00 mm
Width	75,00 mm
Height	36,70 mm
Clear internal dimensions	65x65x32 mm
Dimension LxWxH	75x75x36,7 mm
Dimension	75 x 75 x 36,2 mm
Expandable	<input type="checkbox"/>
No. of entries	7
Type of entry	Cable
Type of entry	Cable
Type of housing penetration	Pre-marking
Measured insulation voltage Vi	690,00 V
Equipment	Without
Cover	Transparent
Cover fastening	Locking
Entries	7 entries for cable diameter 5–14 mm
Entry from rear	<input type="checkbox"/>
Explosion-tested version	<input type="checkbox"/>
Flame-resistant	acc. to VDE 0471/DIN 695 Part 2-1, test temperature 650°C
Shape	Square

Technical data sheet

Junction box A 8

Item no. 2000016



Technical data

Function maintenance (ETIM)	Without
For Ex zone	Without
For Ex zone gas	Without
For Ex zone dust	Without
Halogen-free	<input checked="" type="checkbox"/>
Max. conductor cross-section	2,50 mm ²
With screening	<input type="checkbox"/>
With cover	<input checked="" type="checkbox"/>
Installation type	Wall/ceiling mounting
Mounting type	Wall/ceiling mounting
Nominal cross section	2,50 mm ²
Nominal voltage	690,00 V
Protection rating	IP55
Sealable	<input type="checkbox"/>
max. permitted ambient temperature	-5,00 - 45,00 °C
Transparent lid	<input type="checkbox"/>
Weatherproof	<input type="checkbox"/>