

# Technical data sheet

## Junction box A 14

Item no. 2000390



Protection rating IP55, rated voltage 400 V, nominal cross-section 2.5 ÷ mm<sup>2</sup>, 8 entries for cable diameter 5–14 mm  
 8 entries for cable diameter 5–11 mm.  
 Clamshell.  
 Dimensions: 100 x 100 x 40 mm  
 Clear internal dimensions: 90 x 90 x 35 mm  
 1 cut-out tool for every 10 boxes

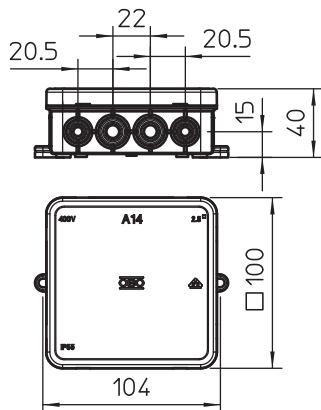


**PE** Polyethylene

### Master data

Item no.	2000390
Type	A 14 HF RW
Description 1	Junction box
Dimension	100x100x38
Colour	Pure white
RAL number	9010
Material	Polyethylene
Material symbol	PE
Smallest sales unit (VG)	10 Piece
Weight	5,86 kg/100 pc.

### Technical data



Length	100,00 mm
Width	100,00 mm
Height	40,00 mm
Clear internal dimensions	90x90x35 mm
Dimension LxWxH	100x100x40 mm
Dimension	100 x 100 x 40 mm
Expandable	<input type="checkbox"/>
No. of entries	14
Type of entry	Cable
Type of entry	Cable
Type of housing penetration	Pre-marking
Measured insulation voltage V <sub>i</sub>	690,00 V
Equipment	Without
Cover	Not transparent
Cover fastening	Locking
Entries	8 entries for cable diameter 5–14 mm 8 entries for cable diameter 5–11 mm
Entry from rear	<input type="checkbox"/>
Explosion-tested version	<input type="checkbox"/>
Flame-resistant	acc. to VDE 0471/DIN 695 Part 2-1, test temperature 650°C
Shape	Square
Function maintenance (ETIM)	Without
For Ex zone	Without

# Technical data sheet

## Junction box A 14

Item no. 2000390



### Technical data

For Ex zone gas	Without
For Ex zone dust	Without
Halogen-free	<input checked="" type="checkbox"/>
Max. conductor cross-section	2,50 mm <sup>2</sup>
With screening	<input type="checkbox"/>
With cover	<input checked="" type="checkbox"/>
Installation type	Wall/ceiling mounting
Mounting type	Wall/ceiling mounting
Nominal cross section	2,50 mm <sup>2</sup>
Nominal voltage	690,00 V
Protection rating	IP55
Sealable	<input type="checkbox"/>
max. permitted ambient temperature	-5,00 - 45,00 °C
Transparent lid	<input type="checkbox"/>
Weatherproof	<input type="checkbox"/>