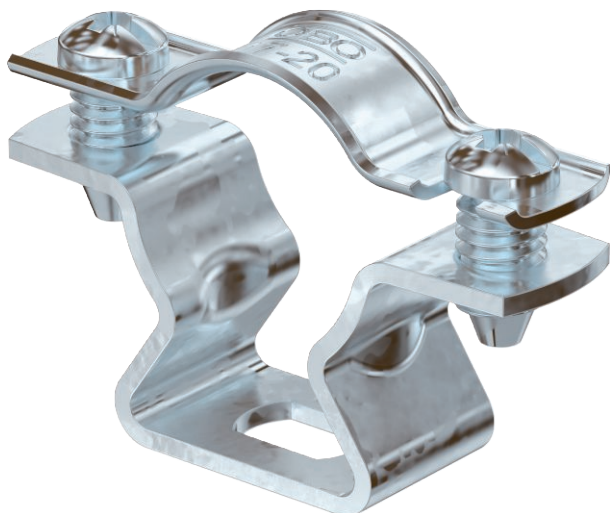


# Technical data sheet

## Spacer clip 733

Item no. 1362714



Spacer clip for the installation of pipes and cables on walls, ceilings and floors. With self-locking cover. Fastening via slot.  
Approved for the maintenance of electrical function according to DIN 4102 Part 12, maintenance of electrical function classes E 30 to E 90.

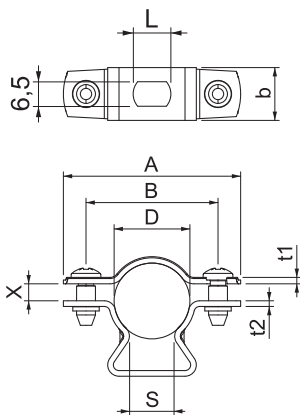


<b>St</b>	Steel
<b>FT</b>	Hot-dip galvanised

### Master data

Item no.	1362714
Type	ASL 733 20 FT
Description 1	Distance saddle
Description 2	with slot
Dimension	17-20mm
Material	Steel
Material symbol	St
Surface	Hot-dip galvanised
Surface to DIN	DIN EN ISO 1461
Surface symbol	FT
Smallest sales unit (VG)	25 Piece
Weight	2,00 kg/100 pc.

### Technical data



Dimension A	47,00 mm
Dimension B	35,00 mm
Dimension b	14,00 mm
Dimension D	17,00 - 20,00 mm
Dimension D	20,00 mm
Dimension L	10,00 mm
Dimension s	12,00 mm
Dimension t1	1,25 mm
Dimension t2	1,50 mm
Dimension x	4,50 mm
Distance to the wall	<input checked="" type="checkbox"/>
Number of cables/pipes	1
Version	Closed
Fastening type	Screw hole
For diameter	17 - 20 mm
Suitable in fire protection area	<input checked="" type="checkbox"/>
Halogen-free	<input checked="" type="checkbox"/>
Plastic coated	<input type="checkbox"/>
Material thickness	1,50 mm
Clamping range D	17,00 - 20,00 mm
UV-resistant	<input checked="" type="checkbox"/>