

Technical data sheet

Spacer clip 733

Item no. 1362980



Spacer clip for the installation of pipes and cables on walls, ceilings and floors. With self-locking cover. Fastening via slot.
Approved for the maintenance of electrical function according to DIN 4102 Part 12, maintenance of electrical function classes E 30 to E 90.

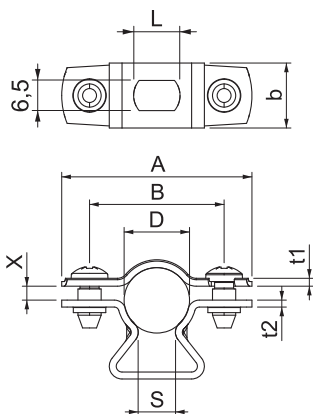


VA Stainless steel, rustproof 1.4301

Master data

Item no.	1362980
Type	ASL 733 14 A2
Description 1	Distance saddle
Description 2	with slot
Dimension	12-14mm
Material	Stainless steel, material no. 1.4301
Material symbol	A2
Smallest sales unit (VG)	25 Piece
Weight	1,95 kg/100 pc.

Technical data



Dimension A	41,00 mm
Dimension B	29,00 mm
Dimension b	14,00 mm
Dimension D	12,00 - 14,00 mm
Dimension L	10,00 mm
Dimension s	8,00 mm
Dimension t1	1,25 mm
Dimension t2	1,50 mm
Dimension x	3,00 mm
Distance to the wall	<input checked="" type="checkbox"/>
Number of cables/pipes	1
Version	Closed
For diameter	12 - 14 mm
Suitable in fire protection area	<input type="checkbox"/>
Halogen-free	<input checked="" type="checkbox"/>
Plastic coated	<input type="checkbox"/>
Material thickness	1,50 mm
Clamping range D	12,00 - 14,00 mm
UV-resistant	<input checked="" type="checkbox"/>