

# Technical data sheet

## Spacer clip 733

Item no. 1362976



Spacer clip for the installation of pipes and cables on walls, ceiling and floors. With self-locking upper part. Fastening via slot. From the clip size of 20 suitable for the installation with a nail device or bolt-firing device.

Approved for the maintenance of electrical function to DIN 4102 Part 12, maintenance of electrical function classes E30 to E90 (except ALU).

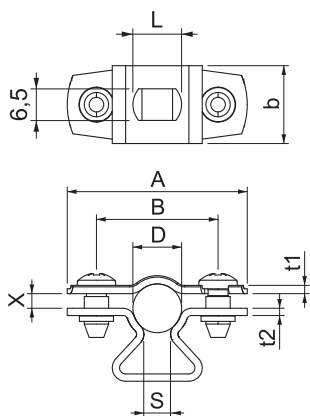


A2 Stainless steel, rustproof 1.4301

### Master data

|                          |                                      |
|--------------------------|--------------------------------------|
| Item no.                 | 1362976                              |
| Type                     | ASL 733 10 A2                        |
| Description 1            | Distance saddle                      |
| Description 2            | with slot                            |
| Dimension                | 8-10mm                               |
| Material                 | Stainless steel, material no. 1.4301 |
| Material symbol          | A2                                   |
| Smallest sales unit (VG) | 25 Piece                             |
| Weight                   | 1,80 kg/100 pc.                      |

### Technical data



|                                  |                                     |
|----------------------------------|-------------------------------------|
| Dimension A                      | 37,00 mm                            |
| Dimension B                      | 25,00 mm                            |
| Dimension b                      | 16,00 mm                            |
| Dimension D                      | 8,00 - 10,00 mm                     |
| Dimension L                      | 10,00 mm                            |
| Dimension s                      | 5,50 mm                             |
| Dimension t1                     | 1,00 mm                             |
| Dimension t2                     | 1,50 mm                             |
| Dimension x                      | 3,00 mm                             |
| Distance to the wall             | <input checked="" type="checkbox"/> |
| Number of cables/pipes           | 1                                   |
| Version                          | Closed                              |
| For diameter                     | 8 ÷ 10 mm                           |
| Suitable in fire protection area | <input type="checkbox"/>            |
| Halogen-free                     | <input checked="" type="checkbox"/> |
| Plastic coated                   | <input type="checkbox"/>            |
| Clamping range D                 | 8,00 - 10,00 mm                     |
| UV-resistant                     | <input checked="" type="checkbox"/> |