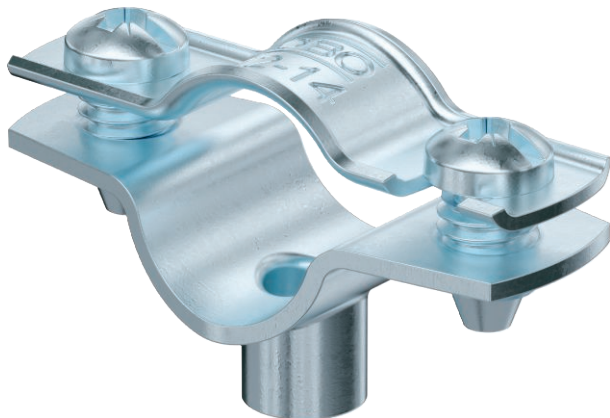


Technical data sheet

Spacer clip 732

Item no. 1362414



Spacer clip for the installation of pipes and cables on walls, ceilings and floors. With self-locking cover. Fastening via attachment piece with internal thread.
Approved for the maintenance of electrical function according to DIN 4102 Part 12, maintenance of electrical function classes E 30 to E 90.

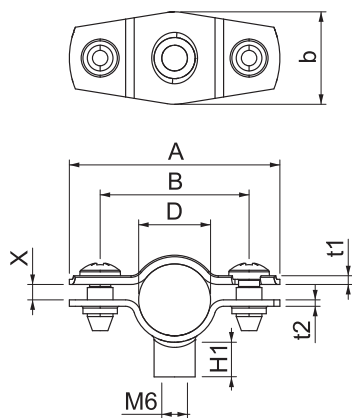


St	Steel
G	Electrogalvanised

Master data

Item no.	1362414
Type	ASG 732 14 G
Description 1	Distance saddle
Description 2	with threaded connection M6
Dimension	12-14mm
Material	Steel
Material symbol	St
Surface	Electrogalvanised
Surface to DIN	EN ISO 19598 / EN ISO 4042
Surface symbol	G
Smallest sales unit (VG)	25 Piece
Weight	1,64 kg/100 pc.

Technical data



Dimension A	41,00 mm
Dimension B	29,00 mm
Dimension b	18,00 mm
Dimension D	12,00 - 14,00 mm
Dimension D	14,00 mm
Dimension H1	6,50 mm
Dimension t1	1,25 mm
Dimension t2	1,25 mm
Dimension x	3,00 mm
Distance to the wall	<input checked="" type="checkbox"/>
Number of cables/pipes	1
Version	Closed
Fastening type	Threaded connection
For diameter	12 - 14 mm
Suitable in fire protection area	<input checked="" type="checkbox"/>
Halogen-free	<input checked="" type="checkbox"/>
Plastic coated	<input type="checkbox"/>
Material thickness	1,25 mm
Clamping range D	12,00 - 14,00 mm
UV-resistant	<input checked="" type="checkbox"/>