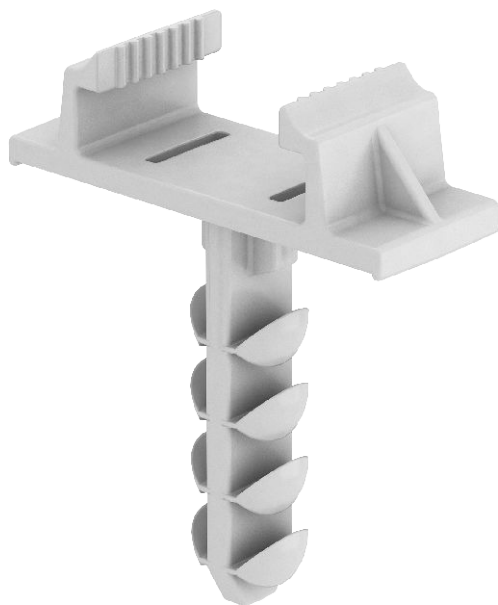


Technical data sheet

Push-fit anchor for Quick clip, type 2957

Item no. 2351650



Push-fit anchor suitable for Quick clip, type 2957. The anchor is fixed to the Quick clip by a locking mechanism. Suitable for rapid mounting in concrete walls and masonry. The anchor is pushed into the hole until the clip makes contact with the surface.

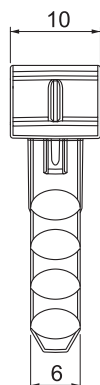
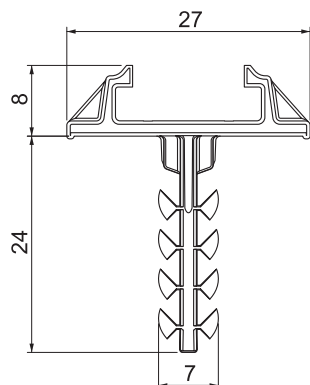


PA Polyamide

Master data

Item no.	2351650
Type	910 STQS 6x26
Description 1	Push-fit plug
Description 2	for Quick clip 2957
Dimension	6x26mm
Colour	Light grey
RAL number	7035
Material	Polyamide
Material symbol	PA
Smallest sales unit (VG)	100 Piece
Weight	0,11 kg/100 pc.

Technical data



Length	26,00 mm
Dimension L	26,00 mm
Anchor/nail/bolt version	Push-fit anchor
Version for	Push-fit anchor
Fastening type	Plug fastening
Drill hole depth	30,00 mm
Drill hole diameter	6,00 mm
Anchor diameter	6,00 mm
Suitable for fastening with cable ties	<input type="checkbox"/>
Suitable for gas concrete	<input checked="" type="checkbox"/>
Suitable for hexagonal wood screw	<input type="checkbox"/>
Halogen-free	<input checked="" type="checkbox"/>
With edge	<input checked="" type="checkbox"/>
With bolts	<input type="checkbox"/>