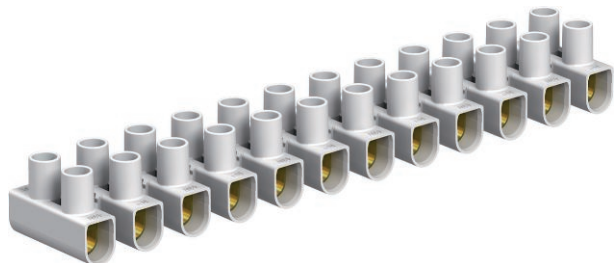


Technical data sheet

10 mm² series connectors, polypropylene

Art.-Nr. 2056372



Tested to EN 60998.
Steel terminals, steel screws, electrogalvanised, 12-pole, individual terminals detachable from strips using "twist'n'pull".
Captive upwards screw.
Max. approved ambient temperature to EN 60998: -5 to +80 °C.
Nominal cross-section 10 mm².
Nominal voltage 450 V.
Nominal current 57 A.
Max. attachment each side: 10 mm² single-wire or 6 mm² multi-wire/flexible.

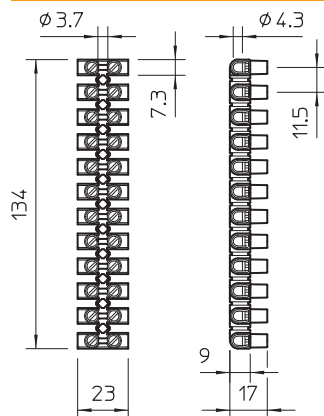


PP Polypropylene

Master data

Item no.	2056372
Type	76 CE WS/EKL 2 S
Description 1	Terminal strip
Dimension	10,0mm ²
Colour	White
Material	Polypropylene
Material symbol	PP
Smallest sales unit	10,00 Piece
Weight	4,30 kg/100 pc.

Technical data



Length	134,00 mm
Width	23,00 mm
Height	17,00 mm
Closing plate required	<input type="checkbox"/>
Connectable conductor cross-section, fine-wire without wire-end ferrule	2,50 - 6,00 mm ²
Connectable conductor cross-section, single-wire	2,50 - 10,00 mm ²
Connectable conductor cross-section, multi-wire	2,50 - 6,00 mm ²
Connection position	Side
No. of terminals	12,00
Number of screwless terminals per pole	2,00
Screw tightening torque	0,80 N/m
Version of electrical connection 1	Screw connection
Version of electrical connection 2	Screw connection
Drill hole spacing, centre	11,50 mm
Explosion-tested version	<input type="checkbox"/>
Suitable for flexible conductors	<input checked="" type="checkbox"/>
Suitable for solid conductors	<input checked="" type="checkbox"/>
Suitable for multi-wire conductors	<input checked="" type="checkbox"/>
Mounting type	Direct mounting
Nominal cross section	10,00 mm ²
Nominal voltage	450,00 V
Nominal current	57,00 A
Pole number	12,00
Cross-section max. permitted ambient temperature	Max. attachment each side: 10 mm ² single-wire or 6 mm ² multi-wire/flexible mm ² -5,00 - 80,00 °C
Transparent	<input type="checkbox"/>
Ambient temperature	80 °C