

Technical data sheet

Cable and pipe spacer clip 732 with threaded connection

Item no. 1360388



Mounting with screw-in spacer clips. Spacer clips and screw-in spacer clips are available in various materials: in V2A stainless steel, in electrogalvanised, hot-dip galvanised steel or in aluminium. Fastening can take place with bolt ties or angler anchors and Sprint screws. Depending on the design, the clips can be "shot" using a bolt-firing tool or nail device.

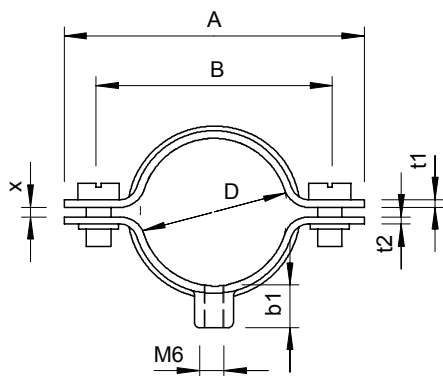


St Steel
GTP Electrogalvanised, transparently passivated

Master data

Item no.	1360388
Type	732 38 GTP
Description 1	Distance saddle
Description 2	with threaded connection M6
Dimension	36-38mm
Material	Steel
Material symbol	St
Surface	Electrogalvanised, transparently passivated
Surface symbol	GTP
Smallest sales unit (VG)	25 Piece
Weight	3,49 kg/100 pc.

Technical data



Length	69,00 mm
Dimension A	69,00 mm
Dimension B	55,00 mm
Dimension b1	8,50 mm
Dimension t1	1,50 mm
Dimension t2	1,50 mm
Dimension x	2,00 mm
Distance to the wall	<input checked="" type="checkbox"/>
Number of cables/pipes	1
Version	Closed
Fastening type	Threaded connection
For diameter	36,00 - 38,00 mm
Suitable in fire protection area	<input checked="" type="checkbox"/>
Size	PG29
Halogen-free	<input checked="" type="checkbox"/>
Plastic coated	<input type="checkbox"/>
Hole size	M6 mm
Material thickness	1,50 mm
Bolt	M5 x 12
Clamping range D	36,00 - 38,00 mm
UV-resistant	<input checked="" type="checkbox"/>