

# Technical data sheet

## Cable and pipe spacer clip 732 with threaded connection

Item no. 1360353



Mounting with screw-in spacer clips. Spacer clips and screw-in spacer clips are available in various materials: in V2A stainless steel, in electrogalvanised, hot-dip galvanised steel or in aluminium. Fastening can take place with bolt ties or angler anchors and Sprint screws. Depending on the design, the clips can be "shot" using a bolt-firing tool or nail device.

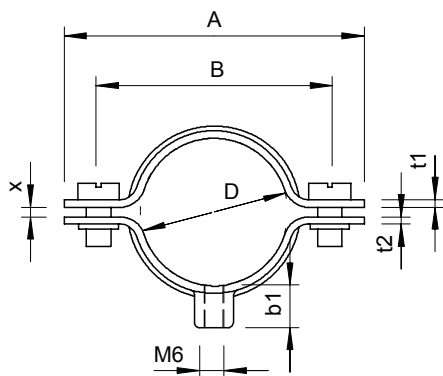


**St** Steel  
**GTP** Electrogalvanised, transparently passivated

### Master data

|                          |   |
|--------------------------|---|
| Item no.                 | 1360353                                     |
| Type                     | 732 35 GTP                                  |
| Description 1            | Distance saddle                             |
| Description 2            | with threaded connection M6                 |
| Dimension                | 33-35mm                                     |
| Material                 | Steel                                       |
| Material symbol          | St  |
| Surface                  | Electrogalvanised, transparently passivated |
| Surface symbol           | GTP   |
| Smallest sales unit (VG) | 25 Piece                                    |
| Weight                   | 3,28 kg/100 pc.                             |

### Technical data



|                                  |                                     |
|----------------------------------|-------------------------------------|
| Length                           | 66,00 mm                            |
| Dimension A                      | 66,00 mm                            |
| Dimension B                      | 52,00 mm                            |
| Dimension b1                     | 8,50 mm                             |
| Dimension t1                     | 1,50 mm                             |
| Dimension t2                     | 1,50 mm                             |
| Dimension x                      | 2,00 mm                             |
| Distance to the wall             | <input checked="" type="checkbox"/> |
| Number of cables/pipes           | 1                                   |
| Version                          | Closed                              |
| Fastening type                   | Threaded connection                 |
| For diameter                     | 33-35 mm                            |
| For diameter                     | 33,00 - 35,00 mm                    |
| Suitable in fire protection area | <input checked="" type="checkbox"/> |
| Size                             | -                                   |
| Halogen-free                     | <input checked="" type="checkbox"/> |
| Plastic coated                   | <input type="checkbox"/>            |
| Hole size                        | M6 mm                               |
| Material thickness               | 1,50 mm                             |
| Bolt                             | M5 x 12                             |
| Clamping range D                 | 33,00 - 35,00 mm                    |
| UV-resistant                     | <input checked="" type="checkbox"/> |