

# Technical data sheet

## Screwless terminal, 5-pin

Item no. 2054507



Screwless terminal to connect single-strand cables.

Nominal cross-section:

5 x 0.5 mm<sup>2</sup> to 2.5 mm<sup>2</sup> single-wire cable

5 x 1.5 mm<sup>2</sup> to 2.5 mm<sup>2</sup> rigid, multi-wire cable

Rated voltage 450 V.

Rated current 24 A.

Stripping length: 8–9 mm.

Inspection opening: phase tester and testing pin (max. Ø 2 mm).

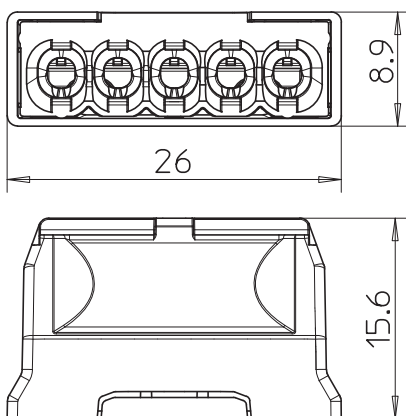


PA Polyamide

### Master data

Item no.	2054507
Type	61 525 LGR
Description 1	Plug-in terminal
Description 2	screwless terminal
Dimension	5x2,5mm <sup>2</sup>
Colour	Light grey
RAL number	7035
Material	Polyamide
Material symbol	PA
Smallest sales unit (VG)	100 Piece
Weight	0,30 kg/100 pc.

### Technical data



Length	26,00 mm
Width	15,60 mm
Height	8,90 mm
Connectable conductor cross-section, single-wire	0,50 - 2,50 mm <sup>2</sup>
Connectable conductor cross-section, multi-wire	1,50 - 2,50 mm <sup>2</sup>
No. of terminals	5
Flame-resistant	acc. to VDE 0471/DIN 695 Part 2-1, test temperature 850°C
Suitable for flexible conductors	<input type="checkbox"/>
Suitable for solid conductors	<input type="checkbox"/>
Suitable for multi-wire conductors	<input checked="" type="checkbox"/>
With actuating levers	<input type="checkbox"/>
Nominal cross section	0,50 - 2,50 mm <sup>2</sup>
Nominal voltage	450,00 V
Nominal current	24,00 A
Pole number	5
Cross-section	5 x 0,5 mm <sup>2</sup> to 2,5 mm <sup>2</sup> single-wire cable 5 x 1,5 mm <sup>2</sup> to 2,5 mm <sup>2</sup> rigid, multi-wire cable mm <sup>2</sup>
max. permitted ambient temperature	-5,00 - 90,00 °C
Ambient temperature	T 90 °C