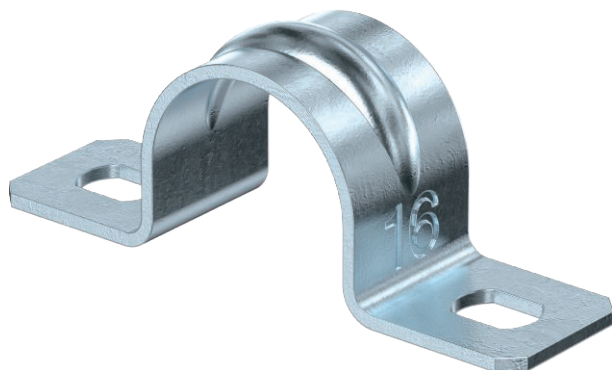


Technical data sheet

Fastening clip 605, medium-duty

Item no. 1018167



Two lobe fastening clips for cables and pipes.

* Sizes 7 to 12 not suitable for bolt-firing tool.

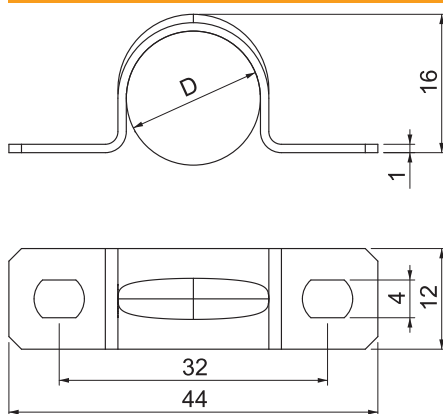


St	Steel
G	Electrogalvanised

Master data

Item no.	1018167
Type	605 16 G
Description 1	Fastening clip
Description 2	two lobe
Dimension	16mm
Material	Steel
Material symbol	St
Surface	Electrogalvanised
Surface to DIN	EN ISO 19598 / EN ISO 4042
Surface symbol	G
Smallest sales unit (VG)	100 Piece
Weight	0,59 kg/100 pc.

Technical data



Length	44,00 mm
Width	12,00 mm
Height	14,50 mm
Dimension A	44,00 mm
Dimension B	32,00 mm
Dimension b	12,00 mm
Dimension D	16,00 mm
Dimension d	4,50 mm
Dimension e	6,00 mm
Dimension H	14,50 mm
Dimension t	1,00 mm
Distance to the wall	<input type="checkbox"/>
Number of cables/pipes	1
Version	Two-lobe
Fastening type	Screw hole
For diameter	16 mm
Suitable in fire protection area	<input type="checkbox"/>
Halogen-free	<input checked="" type="checkbox"/>
Plastic coated	<input type="checkbox"/>
Hole size	4,5 x 6 mm
Material thickness	1,00 mm
UV-resistant	<input checked="" type="checkbox"/>