

# Technical data sheet

## Cable tie, black, UV and weather-resistant

Item no. 2331868



Cable ties are used for quick, uncomplicated fixing or bundling of cables and pipes to cable support systems or other mounting structures.

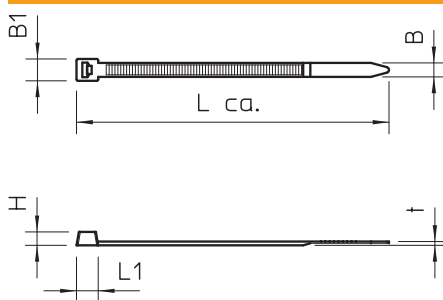


PA Polyamide

### Master data

|                          |                  |
|--------------------------|------------------|
| Item no.                 | 2331868          |
| Type                     | 565 4.8x160 SWUV |
| Description 1            | Cable ties       |
| Description 2            | UV-resistant     |
| Dimension                | 4,8x160mm        |
| Colour                   | Black            |
| Material                 | Polyamide        |
| Material symbol          | PA               |
| Smallest sales unit (VG) | 100 Piece        |
| Weight                   | 0,12 kg/100 pc.  |

### Technical data



|                                    |                                     |
|------------------------------------|-------------------------------------|
| Width                              | 4,80 mm                             |
| Length                             | 160,00 mm                           |
| Height                             | 1,60 mm                             |
| Dimension B                        | 4,80 mm                             |
| Dimension L                        | 160,00 mm                           |
| Dimension t                        | 1,60 mm                             |
| Dimension                          | 4,8 x 160 mm                        |
| Version                            | Externally toothed                  |
| Strip closure                      | Plastic tongue/tab                  |
| Fastening type                     | Without                             |
| Labelling area                     | Without                             |
| Halogen-free                       | <input checked="" type="checkbox"/> |
| Releasable lock                    | <input type="checkbox"/>            |
| Max. bundle diameter               | 39,00 mm                            |
| Mounting temperature               | -30,00 - 90,00 °                    |
| max. permitted ambient temperature | -30,00 - 90,00 °C                   |
| Transparent                        | <input type="checkbox"/>            |
| Reflective                         | <input type="checkbox"/>            |
| MIL approval                       | <input type="checkbox"/>            |
| UL approval                        | <input checked="" type="checkbox"/> |
| UV-resistant                       | <input checked="" type="checkbox"/> |
| VG approval                        | <input type="checkbox"/>            |
| Tensile strength                   | 220,00 N                            |