

Technical data sheet

SOM clip, single

Item no. 2124254



With plastic screws, so corrosion-protected, with slot for fastening with wood screws or 5 mm knock-in anchors.

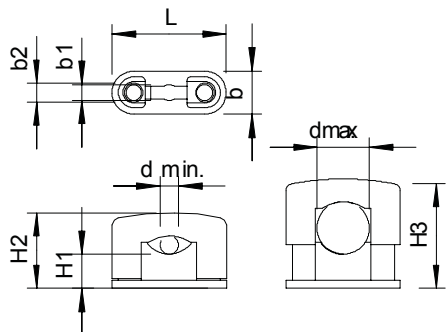


PS Polystyrene

Master data

Item no.	2124254
Type	3081 LGR
Description 1	SOM clip
Dimension	15-25mm
Colour	Light grey
RAL number	7035
Material	Polystyrene
Material symbol	PS
Smallest sales unit (VG)	25 Piece
Weight	1,86 kg/100 pc.

Technical data



Dimension b	17,00 mm
Dimension b1	5,00 mm
Dimension d min.	14,00 mm
Dimension d max.	25,00 mm
Dimension H1	11,50 mm
Dimension H2	33,00 mm
Dimension H3	44,00 mm
Dimension L	51,00 mm
Number of cables/pipes	1
Version	Closed
Fastening type	Screw hole
Suitable in fire protection area	<input type="checkbox"/>
Halogen-free	<input checked="" type="checkbox"/>
Plastic coated	<input type="checkbox"/>
Bolt	M8 x 23
Clamping range D	15,00 - 25,00 mm
UV-resistant	<input type="checkbox"/>