

Technical data sheet

Clamp clip, single, metal pressure trough

Item no. 1159776



Suitable for all C profile rails with slot width 16–17 mm.
Clip, bolt and pressure trough all made of rust-proof stainless steel.



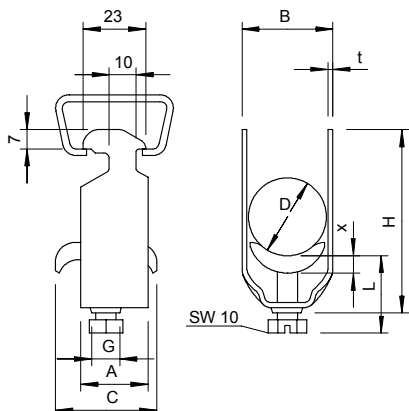
VA Stainless steel, rustproof 1.4301

2B Bright, reworked

Master data

Item no.	1159776
Type	2056 M 76 A2
Description 1	Clamp clip
Description 2	with metal pressure sump
Dimension	70-76mm
Material	Stainless steel, material no. 1.4301
Material symbol	A2
Surface	Bright, reworked
Surface symbol	2B
Smallest sales unit (VG)	10 Piece
Weight	18,30 kg/100 pc.

Technical data



Dimension A	25,00 mm
Dimension B	82,00 mm
Dimension C	40 mm
Dimension G	M8
Dimension H	114,00 mm
Dimension L	56,00 mm
Dimension t	2,50 mm
Dimension x	5,00 mm
Number of cables/pipes	1
Max. tightening torque for 1 cable H	5,00 Nm
for 1 cable L	114,00 mm
for rail with slot width	56,00 mm
Halogen-free	<input type="checkbox"/>
With plastic trough	<input type="checkbox"/>
With metal trough	<input checked="" type="checkbox"/>
Mounting type	Profile rail
Impact-resistant	<input type="checkbox"/>
Clamping range D	16,00 - 17,00 mm
	70,00 - 76,00 mm

Technical data sheet

Clamp clip, single, metal pressure trough

Item no. 1159776



Technical data

Surface addition	Untreated
Material addition	Rustproof steel