

# Technical data sheet

## Clamp clip, single, metal pressure trough

Item no. 1159764



Suitable for all C profile rails with slot width 16–17 mm.  
Clip, bolt and pressure trough all made of rust-proof stainless steel.



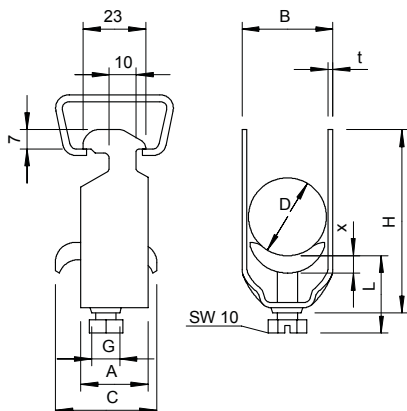
**VA** Stainless steel, rustproof 1.4301

**2B** Bright, reworked

### Master data

Item no.	1159764
Type	2056 M 64 A2
Description 1	Clamp clip
Description 2	with metal pressure sump
Dimension	58-64mm
Material	Stainless steel, material no. 1.4301
Material symbol	A2
Surface	Bright, reworked
Surface symbol	2B
Smallest sales unit (VG)	15 Piece
Weight	14,50 kg/100 pc.

### Technical data



Dimension A	23,00 mm
Dimension B	70,00 mm
Dimension C	35 mm
Dimension G	M8
Dimension H	99,00 mm
Dimension L	56,00 mm
Dimension t	2,50 mm
Dimension x	5,00 mm
Number of cables/pipes	1
Max. tightening torque	5,00 Nm
for 1 cable H	99,00 mm
for 1 cable L	56,00 mm
for pipe diameter	63 mm
for rail with slot width	16,00 - 17,00 mm
Halogen-free	<input type="checkbox"/>
With plastic trough	<input type="checkbox"/>
With metal trough	<input checked="" type="checkbox"/>
Mounting type	Profile rail
Impact-resistant	<input type="checkbox"/>

# Technical data sheet

Clamp clip, single, metal pressure trough

Item no. 1159764



## Technical data

Clamping range D	58,00 - 64,00 mm
Surface addition	Untreated
Material addition	Rustproof steel