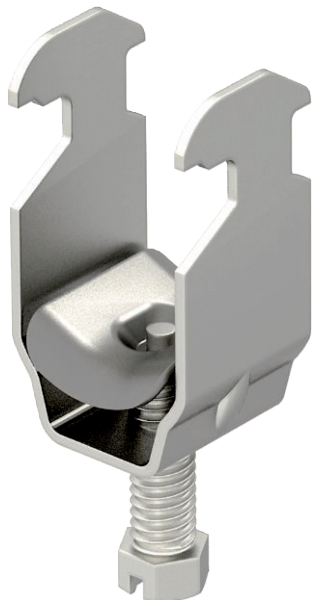


Technical data sheet

Clamp clip, single, metal pressure trough

Item no. 1159746



Suitable for all C profile rails with slot width 16–17 mm.
Clip, bolt and pressure trough all made of rust-proof stainless steel.



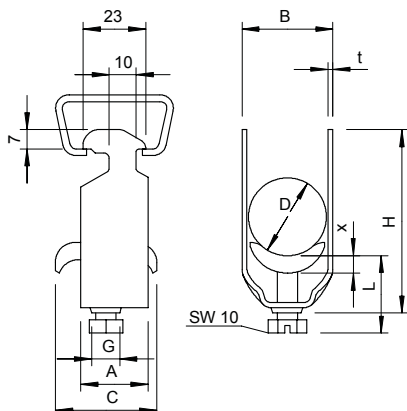
VA Stainless steel, rustproof 1.4301

2B Bright, reworked

Master data

| | |
|--------------------------|--------------------------------------|
| Item no. | 1159746 |
| Type | 2056 M 46 A2 |
| Description 1 | Clamp clip |
| Description 2 | with metal pressure sump |
| Dimension | 40-46mm |
| Material | Stainless steel, material no. 1.4301 |
| Material symbol | A2 |
| Surface | Bright, reworked |
| Surface symbol | 2B |
| Smallest sales unit (VG) | 25 Piece |
| Weight | 9,60 kg/100 pc. |

Technical data



| | |
|--------------------------|-------------------------------------|
| Dimension A | 23,00 mm |
| Dimension B | 51,00 mm |
| Dimension C | 35 mm |
| Dimension G | M8 |
| Dimension H | 79,00 mm |
| Dimension L | 44,00 mm |
| Dimension t | 2,00 mm |
| Dimension x | 5,00 mm |
| Number of cables/pipes | 1 |
| Max. tightening torque | 5,00 Nm |
| for 1 cable H | 79,00 mm |
| for 1 cable L | 44,00 mm |
| for pipe diameter | 40 mm |
| for rail with slot width | 16,00 - 17,00 mm |
| Halogen-free | <input type="checkbox"/> |
| With plastic trough | <input type="checkbox"/> |
| With metal trough | <input checked="" type="checkbox"/> |
| Mounting type | Profile rail |
| Impact-resistant | <input type="checkbox"/> |

Technical data sheet

Clamp clip, single, metal pressure trough

Item no. 1159746



Technical data

| | |
|-------------------|------------------|
| Clamping range D | 40,00 - 46,00 mm |
| Surface addition | Untreated |
| Material addition | Rustproof steel |