

# Technical data sheet

## Clamp clip, single, metal pressure trough

Item no. 1159722



Suitable for all C profile rails with slot width 16–17 mm.  
Clip, bolt and pressure trough all made of rust-proof stainless steel.



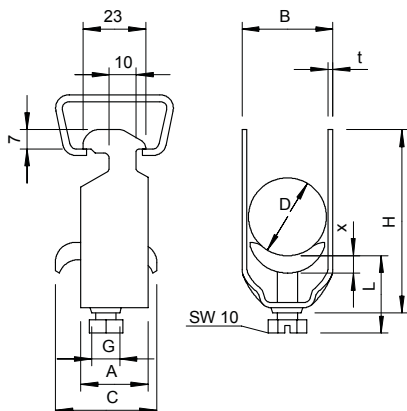
**VA** Stainless steel, rustproof 1.4301

**2B** Bright, reworked

### Master data

|                          |                                      |
|--------------------------|--------------------------------------|
| Item no.                 | 1159722                              |
| Type                     | 2056 M 22 A2                         |
| Description 1            | Clamp clip                           |
| Description 2            | with metal pressure sump             |
| Dimension                | 16-22mm                              |
| Material                 | Stainless steel, material no. 1.4301 |
| Material symbol          | A2                                   |
| Surface                  | Bright, reworked                     |
| Surface symbol           | 2B                                   |
| Smallest sales unit (VG) | 50 Piece                             |
| Weight                   | 4,40 kg/100 pc.                      |

### Technical data



|                          |                                     |
|--------------------------|-------------------------------------|
| Dimension A              | 23,00 mm                            |
| Dimension B              | 27,00 mm                            |
| Dimension C              | 30 mm                               |
| Dimension G              | M6                                  |
| Dimension H              | 60,00 mm                            |
| Dimension L              | 32,50 mm                            |
| Dimension t              | 1,50 mm                             |
| Dimension x              | 3,50 mm                             |
| Number of cables/pipes   | 1                                   |
| Max. tightening torque   | 3,00 Nm                             |
| for 1 cable H            | 60,00 mm                            |
| for 1 cable L            | 32,50 mm                            |
| for pipe diameter        | 20 mm                               |
| for rail with slot width | 16,00 - 17,00 mm                    |
| Halogen-free             | <input type="checkbox"/>            |
| With plastic trough      | <input type="checkbox"/>            |
| With metal trough        | <input checked="" type="checkbox"/> |
| Mounting type            | Profile rail                        |
| Impact-resistant         | <input type="checkbox"/>            |

# Technical data sheet

Clamp clip, single, metal pressure trough

Item no. 1159722



## Technical data

|                   |                  |
|-------------------|------------------|
| Clamping range D  | 16,00 - 22,00 mm |
| Surface addition  | Untreated        |
| Material addition | Rustproof steel  |