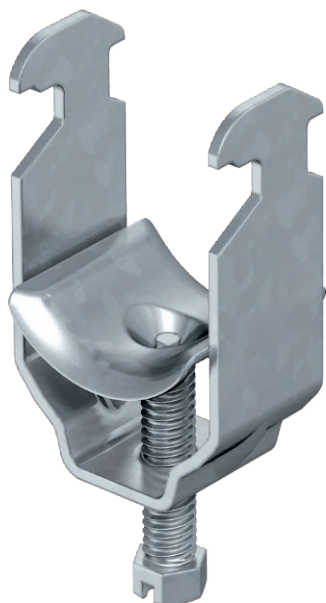


Technical data sheet

Clamp clip, single, metal pressure trough

Item no. 1156004



Suitable for all C profile rails with slot width 16–17 mm.
Clip, bolt and pressure trough made of hot-dip galvanised steel.

Version with welding and/or locknuts for use under difficult circumstances and for shake protection on request.

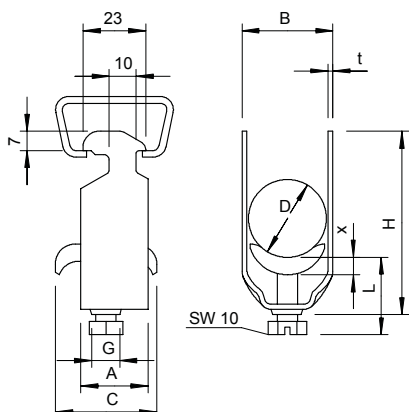


| | |
|-----------|--------------------|
| St | Steel |
| FT | Hot-dip galvanised |

Master data

| | |
|--------------------------|--------------------------|
| Item no. | 1156004 |
| Type | 2056 M 12 FT |
| Description 1 | Clamp clip |
| Description 2 | with metal pressure sump |
| Dimension | 8-12mm |
| Material | Steel |
| Material symbol | St |
| Surface | Hot-dip galvanised |
| Surface to DIN | DIN EN ISO 1461 |
| Surface symbol | FT |
| Smallest sales unit (VG) | 100 Piece |
| Weight | 3,20 kg/100 pc. |

Technical data



| | |
|--------------------------|-------------------------------------|
| Dimension A | 23,00 mm |
| Dimension B | 16,00 mm |
| Dimension C | 30 mm |
| Dimension G | M6 |
| Dimension H | 40,00 mm |
| Dimension L | 32,50 mm |
| Dimension t | 1,50 mm |
| Dimension x | 3,50 mm |
| Number of cables/pipes | 1 |
| Max. tightening torque | 3,00 Nm |
| for 1 cable H | 40,00 mm |
| for 1 cable L | 32,50 mm |
| for rail with slot width | 16,00 - 17,00 mm |
| Halogen-free | <input type="checkbox"/> |
| With plastic trough | <input type="checkbox"/> |
| With metal trough | <input checked="" type="checkbox"/> |
| Mounting type | Profile rail |
| Impact-resistant | <input type="checkbox"/> |

Technical data sheet

Clamp clip, single, metal pressure trough

Item no. 1156004



Technical data

| | |
|-------------------|-----------------|
| Clamping range D | 8,00 - 12,00 mm |
| Surface addition | hot galvanised |
| Material addition | Steel |